

**200 SERIES**  
WINDOWS • DOORS

THE WARMTH OF WOOD AT AN  
**UNCOMMON VALUE.**



# CONTENTS

## 200 SERIES WINDOWS & PATIO DOORS

Performance & Product Overview	2-3
Exterior & Interior Options	4
Exterior Trim System	5
Window Hardware	6
Patio Door Hardware	7
Glass Options	8
Grille & Insect Screen Options	9
Comparison Chart	10
<hr/>	
Tilt-Wash Double-Hung Windows	11
Gliding Windows	17
Narrowline® Gliding Patio Doors	23
Perma-Shield® Gliding Patio Doors	31
Hinged Inswing Patio Doors	37
<hr/>	
Exterior Trim	45
<hr/>	
Combination Designs	51
Product Performance	56
Installation	62
Sustainability	64

For warranty information, visit [andersenwindows.com/warranty](http://andersenwindows.com/warranty).



**The MOST RECOGNIZED, TRUSTED  
and RECOMMENDED  
brand of windows and patio doors.\***



**Hanley Wood Builder Brand Use Study  
1998-2018  
Windows – Wood & Clad-Wood Category**



**Hanley Wood Remodeling Brand Use Study  
2006, 2010, 2013, 2015, 2017  
Windows – Wood & Clad-Wood Category**



**Awarded Most Environmentally Friendly  
Windows 7 years running  
2011-2018**



**Andersen Corporation, including its  
subsidiaries, has been named a 2019  
ENERGY STAR Partner of the Year –  
Sustained Excellence Award winner, the  
highest honor given by ENERGY STAR,  
for continued leadership in protecting  
the environment through superior energy  
efficiency achievements.**

\* 2018 U.S. Homeowner Brand Study of Andersen and Renewal by Andersen brands vs. competitive brands.  
“ENERGY STAR” is a registered trademark of the U.S. Environmental Protection Agency.



When you choose Andersen, you not only get the quality, style and performance that we've built our reputation on, but also exceptional service and support. Our exclusive Owner-2-Owner® limited warranties offer homeowners peace of mind, plus real added value.

## **200 SERIES PRODUCTS**

### **THE WARMTH OF WOOD AT AN UNCOMMON VALUE**

This streamlined selection of windows and patio doors delivers Andersen quality at an uncommon value while still offering ample choices. The 200 Series product line concentrates on our most popular sizes and options for a value that's unmatched.





## ENERGY-SAVING GLASS FOR ANY CLIMATE

Andersen makes windows and patio doors with options that make them ENERGY STAR® v. 6.0 certified throughout the United States.

Visit [andersenwindows.com/energystar](http://andersenwindows.com/energystar) for more information and to verify that the product with your glass option is ENERGY STAR certified in your area.



## LOW MAINTENANCE, NEVER NEEDS PAINTING

The Perma-Shield® exteriors on Andersen® 200 Series windows and patio doors offer superior weather resistance and are virtually maintenance free.

## BUILT FOR YEARS TO COME\*

Our products are built strong to last long. We use the right materials in the right places, giving our windows and doors superior strength, stability and long-term beauty.

## QUALITY SO SOLID, THE WARRANTY IS TRANSFERABLE\*

Many other window and door warranties end when a home is sold, but our coverage — 20 years on glass, 10 years on non-glass parts — transfers from each owner to the next. And, because it is not prorated, the coverage offers full benefits, year after year, owner after owner. So it can add real value when you decide to sell your home.

**OWNER2OWNER®  
LIMITED WARRANTY**

\* Visit [andersenwindows.com/warranty](http://andersenwindows.com/warranty) for details.

# PRODUCT OVERVIEW



## TILT-WASH DOUBLE-HUNG WINDOWS

200 Series tilt-wash double-hung windows are available in our most popular sizes and feature low-maintenance exteriors and real wood interiors. Their tilt-wash design makes them easy to clean from inside the home.



## GLIDING WINDOWS

200 Series gliding windows feature low-maintenance exteriors and real wood interiors. They have a single sash that glides horizontally to allow for full top to bottom ventilation and are an excellent choice for rooms that face walkways, porches or decks because the sash do not open outward.

Half circle windows are available in sizes to match our tilt-wash double-hung windows.



To learn more about other Andersen® window options, visit [andersenwindows.com/windows](http://andersenwindows.com/windows).



## NARROLINE® & PERMA-SHIELD® GLIDING PATIO DOORS

200 Series Narroline gliding doors combine the beauty of natural wood with sleek contemporary profiles to maximize views. Available in two- and four-panel configurations to fit virtually any size requirement.

200 Series Perma-Shield gliding doors are protected inside and out with rigid vinyl cladding to give homes a contemporary look while keeping maintenance to a minimum. They are available with convenient blinds-between-the-glass on select sizes and are available in two-panel configurations.



CUSTOM SIZES

## HINGED INSWING PATIO DOORS

200 Series hinged inswing patio doors are built with fiberglass panel construction, traditional styling and white interiors and are available in three exterior colors.

Their hook deadbolt lock provides extra strength, a more weathertight seal and added security compared to ordinary deadbolt locks. They are available in one- and two-panel configurations.



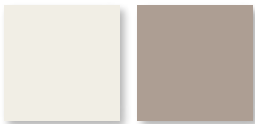


# EXTERIOR & INTERIOR OPTIONS

Our Perma-Shield® exterior cladding system offers low maintenance and durability while providing an attractive appearance.

## WINDOWS

### EXTERIOR COLORS



White Sandtone

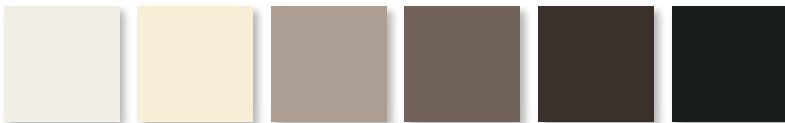
### INTERIOR OPTIONS



Pine White

## PATIO DOORS

### EXTERIOR COLORS



White Canvas Sandtone Terratone Dark Bronze Black

Hinged inswing patio doors are only available with white, Sandtone or Terratone exteriors.

### INTERIOR OPTIONS



Pine White

Hinged inswing patio doors are only available with white interiors.  
Perma-Shield gliding patio door interiors match the exterior color selected.

Printing limitations prevent exact color duplication. See your Andersen supplier for actual color samples.

# EXTERIOR TRIM SYSTEM

Add curb appeal with Andersen® exterior trim. Our trim is made with Fibrex® composite material, an environmentally smart composite that contains 40% pre-consumer reclaimed wood fiber by weight. For details, see page 45.

**Time-saving and cost-effective**



**Innovative attachment strip**

**No nail holes, no visible fasteners, no painting**



**Independent of water management system for easy installation**

**Style that gets noticed**

Our wide trim profiles overlap the window frame to create clean lines without visible sealant joints. Mitered brick mould corners and butt joints on flat casing profiles reflect traditional corner joints.

Sandtone window with cocoa bean trim



Visit [andersenwindows.com/exteriotrim](http://andersenwindows.com/exteriotrim) to learn more.

## TRIM COLORS



White

Canvas

Sandtone

Terratone

Dark Bronze

Forest Green

Dove Gray

Prairie Grass

Red Rock

Cocoa Bean

Black

# WINDOW HARDWARE

Window hardware enhances the overall design of a window and harmonizes with a home's décor.

## TILT-WASH DOUBLE-HUNG WINDOWS



Lock & Keeper

Standard: Stone | **White**  
 Optional:\* Antique Brass | Black | Bright Brass  
 Gold Dust | Oil Rubbed Bronze | Satin Nickel



**CLASSIC SERIES™**

Optional Lift\*  
 Stone | **White**

## GLIDING WINDOWS

Lock & Keeper  
 Stone | **White**



**CLASSIC SERIES**

Pull  
 Stone | **White**

For all windows, stone finish is standard for pine interiors. White finish is standard for white interiors.  
 For gliding windows, additional lock and keeper finishes are available, contact your Andersen supplier.

Bold names denote finish shown.

## WIRELESS OPEN/CLOSED SENSORS

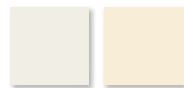
These wireless sensors provide the peace of mind of knowing whether windows and patio doors are open or closed.\*\*



**No tools for easy installation**

**No drilling to maintain warranties**

**Compact design**



White Canvas



Sandtone Dark Bronze

## VERILOCK® SECURITY SENSORS

Available for 200 Series gliding patio doors, VeriLock security sensors not only indicate whether your patio doors are open, they even tell you if they are locked or unlocked.\*\* No other sensor can do that.

**Helps maximize energy efficiency**

**No drilling to maintain warranties**

**Preserves beauty**



White Stone Black Gray

\* Hardware is sold separately.

\*\* When properly configured and maintained with a professionally installed security system and/or self-monitoring system compatible with Honeywell® 5800 controls. See your Andersen supplier for more information.

Oil rubbed bronze is a "living" finish that will change with time and use.



# PATIO DOOR HARDWARE\*

200 Series patio door hardware is available in a variety of different designs to match any style.



## HARDWARE FINISHES



## FSB® HINGED PATIO DOOR HARDWARE

Durable, stainless steel FSB hinged door hardware features clean lines and a sleek satin finish for a thoroughly modern look. Choose from four handle styles.



\* Hardware sold separately.

Distressed bronze and oil rubbed bronze are "living" finishes that will change with time and use. Bright brass and satin nickel finishes on patio door hardware feature a 10-year limited warranty. Matching hinges available in antique brass, bright brass, oil rubbed bronze, satin nickel and white for inswing patio doors. Printing limitations prevent exact finish replication. See your Andersen supplier for actual finish samples. "FSB" is a registered trademark of Franz Schneider Brakel GmbH & Co.

# GLASS OPTIONS

Andersen has the glass you need to get the performance you want. From SmartSun™ glass with HeatLock® coating that is ENERGY STAR® certified in all climate zones\* to Low-E glass with HeatLock coating that helps reflect heat back into the home and improves U-Factors. Check with your supplier for the selections that meet ENERGY STAR requirements in your area.

G L A S S	E N E R G Y		L I G H T	
	U-FACTOR	SOLAR HEAT GAIN COEFFICIENT	VISIBLE LIGHT TRANSMITTANCE	UV PROTECTION
	How well a product prevents heat from escaping.	How well a product blocks heat caused by sunlight.	How much visible light comes through a product.	How well a product blocks ultraviolet rays.
<b>SmartSun</b> Thermal control similar to tinted glass, with visible light transmittance similar to Low-E glass.	★★★★☆	★★★★★	★★★★☆	★★★★★
<b>SmartSun with HeatLock Coating</b> Applied to the room-side surface, it reflects heat back into the home and improves U-Factors.	★★★★☆	★★★★★	★★★☆☆	★★★★★
<b>Low-E</b> Outstanding overall performance for climates where both heating and cooling costs are a concern.	★★★★☆	★★★★☆	★★★★☆	★★★★☆
<b>Low-E with HeatLock Coating</b> Applied to the room-side surface, it reflects heat back into the home and improves U-Factors.	★★★★☆	★★★★☆	★★★☆☆	★★★★☆
<b>Sun*</b> Outstanding thermal control in southern climates where less solar heat gain is desired.	★★★★☆	★★★★★	★★☆☆☆	★★★★☆
<b>PassiveSun®</b> Ideal for northern, passive solar construction applications where solar heat gain is desired.	★★★☆☆	★★☆☆☆	★★★★☆	★★★★☆
<b>PassiveSun with HeatLock Coating</b> Ideal for northern, passive solar construction applications where solar heat gain is desired.	★★★★☆	★★☆☆☆	★★★☆☆	★★★★☆
<b>Clear Dual-Pane</b> High visibility with basic thermal performance.	★★☆☆☆	☆☆☆☆	★★★★★	☆☆☆☆

Center of glass performance only. Ratings based on glass options available as of March 2019. Visit [andersenwindows.com/energystar](http://andersenwindows.com/energystar) for ENERGY STAR map and NFRC total unit performance data.

## TIME-SAVING FILM



We help protect our products during delivery and construction with a translucent film on the glass. It also minimizes time spent masking on the jobsite, then peels away for a virtually spotless window.

## ADDITIONAL GLASS OPTIONS

**TEMPERED** safety glass (standard on patio doors).

**OBSCURE** patterned glass to let in light while obscuring vision.



\* Sun glass available on 200 Series patio doors only.

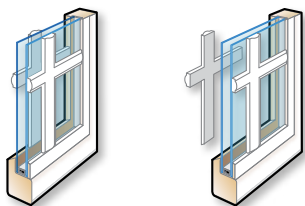
# GRILLE OPTIONS

Grille patterns are available in widths and configurations to fit any architectural style or the taste of any customer. We can match virtually any existing grille pattern, and we'll even work with you and your customers to create custom patterns.

## GRILLE CONFIGURATIONS

### SIMULATED DIVIDED LIGHT

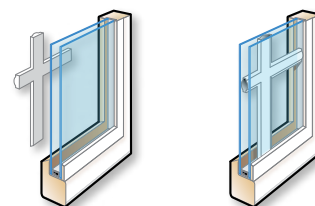
Permanent grilles on the exterior and interior with no spacer between the glass. We also offer permanent exterior grilles with removable interior grilles.



Permanent exterior Permanent interior Permanent exterior Removable interior

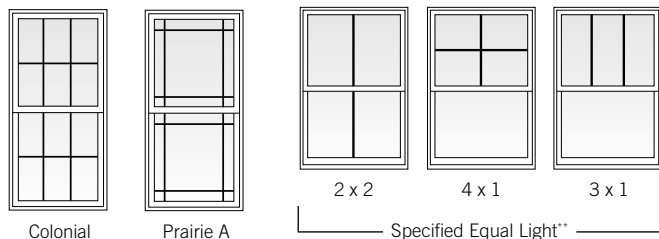
### CONVENIENT CLEANING OPTIONS

Removable interior grilles come off for easy cleaning. Finelight™ grilles-between-the-glass are installed between the glass panes and feature a contoured profile in 1" (25) and 3/4" (19) widths.

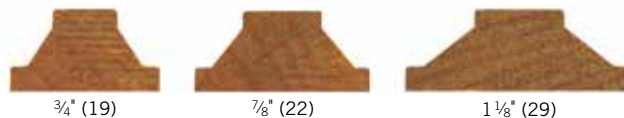


Removable interior Finelight Grilles-Between-the-Glass

## GRILLE PATTERNS



## GRILLE BAR WIDTHS Actual size shown.

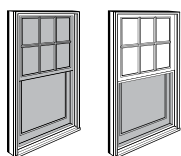


To see all of the standard patterns available for a specific window or door, refer to the detailed sections in this book for each product or contact your Andersen supplier.

# INSECT SCREEN OPTIONS

Conventional and TruScene® insect screens are available for tilt-wash double-hung and gliding windows. For patio doors, conventional insect screens come in the configurations shown below.

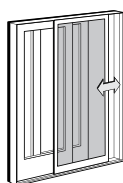
### DOUBLE-HUNG WINDOWS



#### FULL OR HALF INSECT SCREEN

Full insect screens are available for Andersen venting windows. Andersen also offers the option of half insect screens for the lower sash of our tilt-wash double-hung windows.

### GLIDING PATIO DOORS



#### GLIDING INSECT SCREEN

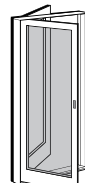
Gliding insect screens are available for two- and four-panel doors.



#### RETRACTABLE INSECT SCREEN

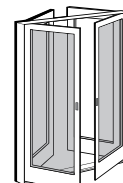
The retractable insect screen is installed on the exterior of the door and opens side to side across the width of the opening. When the insect screen is not in use, it neatly retracts into a small canister. Available for two-panel doors.

### HINGED INSWING PATIO DOORS



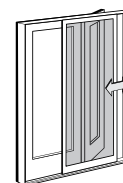
#### HINGED INSECT SCREEN

Available for single-panel doors.



#### DOUBLE-HINGED INSECT SCREEN

Available for two-panel active-passive doors.



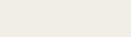
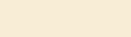
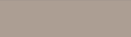
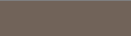
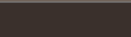
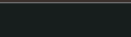

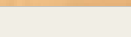

#### GLIDING INSECT SCREEN

Available on single-panel active doors.

\* 7/8" (22) and 1 1/8" (29) not available in Finelight grilles-between-the-glass.  
 \*\* Specify number of same-size rectangles across or down.  
 Dimensions in parentheses are in millimeters.

# COMPARISON CHART

Use the quick reference chart below to decide which Andersen® 200 Series products best fit your project needs.

		WINDOWS		PATIO DOORS		
FEATURES		TILT-WASH DOUBLE-HUNG	GLIDING	NARROLINE® GLIDING	PERMA-SHIELD® GLIDING	HINGED INSWING
<b>LOW-MAINTENANCE EXTERIORS</b>						
	White	●	●	●	●	●
	Canvas			●	●	
	Sandtone	●	●	●	●	●
	Terratone			●	●	●
	Dark Bronze			●	●	
	Black			●	●	
<b>INTERIORS</b>						
	Pine	●	●	●		
	White	●	●	●		●
	Same as Exterior				●	
<b>GRILLES &amp; BLINDS</b>						
	Simulated Divided Light	●	●	●	●	●
	Finelight™ Grilles-Between-the-Glass	●	●	●	●	●
	Removable Interior Grilles	●	●	●	●	●
	Blinds-Between-the-Glass (Select sizes only)				●	
<b>EASY CLEANING</b>						
	Tilt-to-Clean Sash	●				
<b>HIGH-PERFORMANCE GLASS</b> Additional glass options are available. See page 8 for details. For patio doors, all glass options are tempered.						
	Low-E	●	●			
	Low-E SmartSun™	●	●			
	Low-E Sun			●	●	●
	HeatLock® Coating	●	●	●	●	●
	Clear Dual-Pane	●	●	●	●	●
<b>PERFORMANCE OPTION</b>						
	Stormwatch® Protection				PG Upgrade	
<b>STANDARD SIZES</b>						
	Minimum Width	1'-7 1/2"	2'-11 1/2"	4'-11 1/4"	4'-11 1/4"	2'-6 1/8"
	Maximum Width	3'-3 1/2"	5'-11 1/2"	15'-9"	8'-0"	5'-11 1/4"
	Minimum Height	2'-11 1/2"	1'-5 1/2"	6'-7 1/2"	6'-7 1/2"	6'-7 1/2"
	Maximum Height	5'-11 1/2"	4'-11 1/2"	7'-11 1/2"	7'-11 1/2"	7'-11 1/2"
<b>CUSTOM SIZES</b> 						
				●	●	

# TILT-WASH DOUBLE-HUNG WINDOWS

200 Series  
Tilt-Wash Double-Hung  
Windows



## SECTION REFERENCE

Tables of Sizes .....	13-14
Specifications .....	14-15
Grille Patterns .....	15
Window Details .....	16
Joining Details .....	16
Combination Designs .....	51
Product Performance.....	56

# TILT-WASH DOUBLE-HUNG WINDOWS

## FEATURES

### Frame

**A** Exterior outer frame members are treated with water-repellent preservative and covered with a rigid vinyl cover, minimizing maintenance and providing an attractive appearance.

**B** Interior surfaces are unfinished pine. Low-maintenance prefinished white interiors are available.

**C** Full-perimeter installation flange makes installation easy and fast with little or no adjustment. It's fixed, seamless and integrated with the exterior frame.

**D** Flexible weatherstrip around all four sides is factory-installed and provides a tight seal between the sash and frame.

### Glass

**E** Choose Low-E, Low-E HeatLock®, Low-E SmartSun™, Low-E SmartSun HeatLock or dual-pane glass. Tempered glass and other glass options are available. Contact your Andersen supplier. A removable translucent film helps shield the glass from damage during delivery and construction and simplifies finishing at the jobsite.

**F** A rigid vinyl glazing bead, combined with high-grade silicone glazing bed, keeps the glass bonded firmly to the sash and helps minimize water and air infiltration.

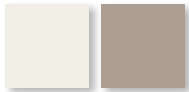


### Sash



A convenient tilt-wash design makes it easy to clean the window from the inside. An in-sash balancer minimizes the view of the jamb liner, maximizing the amount of wood in the frame. Window can be secured through the side jambs to stud walls without hitting balancer.

## EXTERIOR



White Sandtone

## INTERIOR



Pine White

Naturally occurring variations in grain, color and texture of wood make each window one of a kind. All wood interiors are unfinished unless prefinished white is specified. Oil rubbed bronze is a "living" finish that will change with time and use.

## HARDWARE FINISHES



Antique Brass Black Bright Brass Gold Dust



Oil Rubbed Bronze Satin Nickel Stone White

## DOUBLE-HUNG HARDWARE



Lock & Keeper

Standard: **Stone** | White

\*\*Optional: Antique Brass | Black

Bright Brass | Gold Dust

Oil Rubbed Bronze | Satin Nickel

Stone finish is standard for pine interiors. White finish is standard for white interiors. Bold name denotes finish shown.



CLASSIC SERIES™

Optional Lift\*\*

Stone | **White**

\* Visit [andersenwindows.com/warranty](http://andersenwindows.com/warranty) for details.

\*\* Hardware sold separately.

Dimensions in parentheses are in millimeters.

Printing limitations prevent exact replication of colors and finishes. See your Andersen supplier for actual color and finish samples.

## ACCESSORIES Sold Separately

### Frame

#### Extension Jambs

Standard jamb depth is 3 1/4" (83). Extension jambs are available in unfinished pine or prefinished white. Some sizes may be veneered.

Factory-applied and non-applied extension jambs are available in 1/16" (1.5) increments between 4 3/16" (114) and 7 1/8" (181). Extension jambs can be factory-applied to either three sides (stool and apron) or four sides (picture frame casing).

#### Drywall Return

The 200 Series double-hung window is available with a narrow 3" (76) jamb depth with a flat interior surface for easy drywall return. Available in pine or prefinished white.

#### Two-Tone Option

200 Series tilt-wash double-hung windows are available with a two-tone color configuration, featuring a prefinished white interior and a Sandtone exterior. Some exterior components are visible from the interior. Corresponding picture and transom units, as well as grilles, are available to match.

#### Window Opening Control Device



A recessed window opening control device is available factory applied. It limits the sash travel to less than 4" (102) when the window is first opened. Available in stone and white. A field-applied window opening control device is also available.

### Security Sensors

#### Open/Closed Sensors

Wireless open/closed sensors are available in four colors. See page 6 for details.

### Insect Screens

#### Insect Screen Frames



Choose full insect screen or half insect screen. Half insect screen (shown above) allows ventilation without affecting the view from the upper sash. Frames are available in colors to match product exteriors.

#### TruScene® Insect Screen

Exclusive Andersen® TruScene insect screens provide over 50% more clarity than our conventional insect screens for a beautiful unobstructed view. They allow more fresh air and sunlight in, while doing a better job of keeping out small insects.

#### Conventional Insect Screen

Conventional insect screens have a long-lasting\* fiberglass screen mesh with a charcoal finish.

### Exterior Trim

This product is available with Andersen exterior trim. See pages 45-50 for details.

#### CAUTION:

- Painting and staining may cause damage to rigid vinyl and is not recommended.
- Andersen does not warrant the adhesion or performance of homeowner-applied paint over vinyl or other factory-coated surfaces.
- Do not paint weatherstrip.
- Creosote-based stains should not come in contact with Andersen products.
- Abrasive cleaners or solutions containing corrosive solvents should not be used on Andersen products.

For more information about **glass, grilles and insect screens**, see pages 8-9.



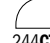
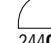
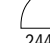
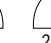























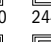










































For more information about **combination designs, product performance, installation instructions and accessories**, see pages 51-63 or visit [andersenwindows.com](http://andersenwindows.com).

**Table of Tilt-Wash Double-Hung & Transom Window Sizes**

Scale 1/8" (3) = 1'-0" (305) – 1:96

Window Dimension	1'-7 1/2" (495)	1'-11 1/2" (597)	2'-3 1/2" (699)	2'-7 1/2" (800)	2'-11 1/2" (902)	3'-3 1/2" (1003)
<b>Minimum Rough Opening</b>	1'-8" (508)	2'-0" (610)	2'-4" (711)	2'-8" (813)	3'-0" (914)	3'-4" (1016)
Unobstructed Glass (lower sash only)	13 1/2" (343)	17 1/2" (445)	21 1/2" (546)	25 1/2" (648)	29 1/2" (749)	33 1/2" (851)




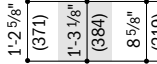
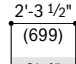
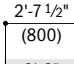
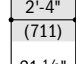
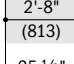
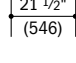
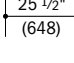

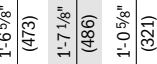
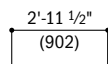
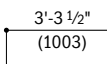
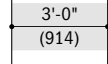
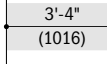
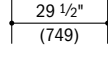
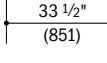
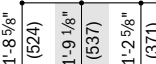
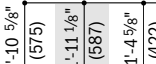
See Half Circle chart						
	244CT18	244CT20	244CT24	244CT28	244CT30	244CT34
11 1/2" (292)						
	244FX1810	244FX2010	244FX2410	244FX2810	244FX3010	244FX3410
1'-5 1/2" (445)						
	244FX1816	244FX2016	244FX2416	244FX2816	244FX3016	244FX3416
1'-11 1/2" (597)						
	244FX1820	244FX2020	244FX2420	244FX2820	244FX3020	244FX3420
2'-11 1/2" (902)						
	244DH1830	244DH2030	244DH2430	244DH2830	244DH3030	244DH3430
3'-5 1/2" (1054)						
	244DH1836	244DH2036	244DH2436	244DH2836	244DH3036	244DH3436
3'-11 1/2" (1207)						
	244DH1840	244DH2040	244DH2440	244DH2840	244DH3040	244DH3440
4'-5 1/2" (1359)						
	244DH1846	244DH2046	244DH2446	244DH2846	244DH3046	244DH3446
4'-8 1/2" (1435)						
	244DH1849	244DH2049	244DH2449	244DH2849	244DH3049 <sup>o</sup>	244DH3449 <sup>o</sup>
4'-11 1/2" (1511)						
	244DH1850	244DH2050	244DH2450	244DH2850	244DH3050 <sup>o</sup>	244DH3450 <sup>o</sup>
5'-5 1/2" (1664)						
	244DH1856	244DH2056	244DH2456	244DH2856 <sup>o</sup>	244DH3056 <sup>o</sup>	244DH3456 <sup>o</sup>
5'-11 1/2" (1816)						
	244DH1860	244DH2060	244DH2460	244DH2860 <sup>o</sup>	244DH3060 <sup>o</sup>	244DH3460 <sup>o</sup>

**Table of Tilt-Wash Double-Hung Half Circle Window Sizes**

Scale 1/8" (3) = 1'-0" (305) – 1:96

Window Dimension	1'-7 1/2" (495)	1'-11 1/2" (597)
<b>Minimum Rough Opening</b>	1'-8" (508)	2'-0" (610)
Unobstructed Glass	13 1/2" (343)	17 1/2" (445)

See Half Circle chart		
	244CT18	244CT20
1'-0 5/8" (321)		
2'-3 1/2" (699)		
2'-4" (711)		
21 1/2" (546)		
1'-4 5/8" (422)		
	244CT24	244CT28
2'-11 1/2" (902)		
3'-0" (914)		
29 1/2" (749)		
1'-8 5/8" (524)		
	244CT30	244CT34

Grille patterns shown on page 15.

\*Window Dimension\* always refers to outside frame to frame dimension.

\*\*Minimum Rough Opening\* dimensions may need to be increased to allow for use of building wraps, flashing, sill panning, brackets, fasteners or other items. See pages 62-63 for more details.

• Dimensions in parentheses are in millimeters.

◊ Meet or exceed clear opening area of 5.7 sq. ft. or 0.53 m<sup>2</sup>, clear opening width of 20" (508) and clear opening height of 24" (610). See table on page 15.

# TILT-WASH DOUBLE-HUNG WINDOWS

**Table of Tilt-Wash Picture Window Sizes**

Scale 1/8" (3) = 1'-0" (305) – 1:96

Window Dimension	2'-11 1/2" (902)	3'-11 1/2" (1207)	4'-5 1/2" (1359)	4'-8 1/2" (1435)	4'-11 1/2" (1511)	5'-5 1/2" (1663)	5'-11 1/2" (1816)
<b>Minimum Rough Opening</b>	3'-0" (914)	4'-0" (1219)	4'-6" (1372)	4'-9" (1448)	5'-0" (1524)	5'-6" (1676)	6'-0" (1829)
Unobstructed Glass	29 1/2" (749)	41 1/2" (1054)	47 1/2" (1207)	50 1/2" (1283)	53 1/2" (1359)	59 1/2" (1511)	65 1/2" (1664)
2'-11 1/2" (902)							
3'-11 1/2" (1207)							
4'-5 1/2" (1359)							
4'-8 1/2" (1435)							
4'-11 1/2" (1511)							
5'-5 1/2" (1664)							
5'-11 1/2" (1816)							

Grille patterns shown on page 15.

• "Window Dimension" always refers to outside frame to frame dimension.  
 • "Minimum Rough Opening" dimensions may need to be increased to allow for use of building wraps, flashing, sill panning, brackets, fasteners or other items. See pages 62-63 for more details.  
 • Dimensions in parentheses are in millimeters.

## Tilt-Wash Picture Window Area Specifications

Window Number	Glass Area Sq. Ft./ (m <sup>2</sup> )	Overall Window Area Sq. Ft./ (m <sup>2</sup> )
244FX3030	6.04 (0.56)	8.75 (0.81)
244FX3040	8.50 (0.79)	11.71 (1.09)
244FX3046	9.73 (0.90)	13.19 (1.23)
244FX3049	10.35 (0.96)	13.93 (1.29)
244FX3050	10.96 (1.02)	14.67 (1.36)
244FX3056	12.19 (1.13)	16.15 (1.50)
244FX3060	13.42 (1.25)	17.63 (1.64)
244FX4030	8.50 (0.79)	11.71 (1.09)
244FX4040	11.96 (1.11)	15.67 (1.46)
244FX4046	13.69 (1.27)	17.65 (1.64)
244FX4049	14.55 (1.35)	18.64 (1.73)
244FX4050	15.42 (1.43)	19.63 (1.82)
244FX4056	17.15 (1.59)	21.61 (2.01)
244FX4060	18.88 (1.75)	23.59 (2.19)
244FX4630	9.73 (0.90)	13.19 (1.23)

Window Number	Glass Area Sq. Ft./ (m <sup>2</sup> )	Overall Window Area Sq. Ft./ (m <sup>2</sup> )
244FX4640	13.69 (1.27)	17.65 (1.64)
244FX4646	15.67 (1.46)	19.88 (1.85)
244FX4649	16.66 (1.55)	21.00 (1.95)
244FX4650	17.65 (1.64)	22.11 (2.05)
244FX4656	19.63 (1.82)	24.34 (2.26)
244FX4660	21.61 (2.01)	26.56 (2.47)
244FX4930	10.35 (0.96)	13.93 (1.29)
244FX4940	14.55 (1.35)	18.64 (1.73)
244FX4946	16.66 (1.55)	21.00 (1.95)
244FX4949	17.71 (1.65)	22.17 (2.06)
244FX4950	18.76 (1.74)	23.35 (2.17)
244FX4956	20.87 (1.94)	25.70 (2.39)
244FX4960	22.97 (2.13)	28.05 (2.61)
244FX5030	10.96 (1.02)	14.67 (1.36)
244FX5040	15.42 (1.43)	19.63 (1.82)

Window Number	Glass Area Sq. Ft./ (m <sup>2</sup> )	Overall Window Area Sq. Ft./ (m <sup>2</sup> )
244FX5046	17.65 (1.64)	22.11 (2.05)
244FX5049	18.76 (1.74)	23.35 (2.17)
244FX5050	19.88 (1.85)	24.59 (2.28)
244FX5056	22.11 (2.05)	27.06 (2.51)
244FX5060	24.34 (2.26)	29.54 (2.75)
244FX5630	12.19 (1.13)	16.15 (1.50)
244FX5640	17.15 (1.59)	21.61 (2.01)
244FX5646	19.63 (1.82)	24.34 (2.26)
244FX5649	20.87 (1.94)	25.70 (2.39)
244FX5650	22.11 (2.05)	27.06 (2.51)
244FX6030	13.42 (1.25)	17.63 (1.64)
244FX6040	18.88 (1.75)	23.59 (2.19)
244FX6046	21.61 (2.01)	26.56 (2.47)
244FX6049	22.97 (2.13)	28.05 (2.61)
244FX6050	24.34 (2.26)	29.54 (2.75)

• Dimensions in parentheses are in square meters.



**Tilt-Wash Double-Hung Window Opening and Area Specifications**

Window Number	Clear Opening Area Sq. Ft./ (m <sup>2</sup> )		Clear Opening in Full Open Position		Glass Area Sq. Ft./ (m <sup>2</sup> )	Vent Area Sq. Ft./ (m <sup>2</sup> )	Top of Subfloor to Top of Inside Sill Stop Inches/(mm)	Overall Window Area Sq. Ft./ (m <sup>2</sup> )	
			Width Inches/(mm)	Height Inches/(mm)					
244DH1830	1.72	(0.16)	16.56" (421)	14.95" (380)	2.56 (0.24)	1.72 (0.16)	48.56" (1233)	4.81 (0.45)	
244DH1836	2.06	(0.19)	16.56" (421)	17.95" (456)	3.12 (0.29)	2.06 (0.19)	42.56" (1081)	5.62 (0.52)	
244DH1840	2.41	(0.22)	16.56" (421)	20.95" (532)	3.69 (0.34)	2.41 (0.22)	36.56" (929)	6.43 (0.60)	
244DH1846	2.75	(0.26)	16.56" (421)	23.95" (608)	4.25 (0.40)	2.75 (0.26)	30.56" (776)	7.24 (0.67)	
244DH1849	2.93	(0.27)	16.56" (421)	25.45" (647)	4.53 (0.42)	2.93 (0.27)	27.56" (700)	7.65 (0.71)	
244DH1850	3.10	(0.29)	16.56" (421)	26.95" (685)	4.81 (0.45)	3.10 (0.29)	24.56" (624)	8.06 (0.75)	
244DH1856	3.44	(0.32)	16.56" (421)	29.95" (761)	5.37 (0.45)	3.44 (0.32)	18.56" (471)	8.87 (0.82)	
244DH1860	3.79	(0.35)	16.56" (421)	32.95" (837)	5.94 (0.55)	3.79 (0.35)	12.56" (319)	9.68 (0.90)	
244DH2030	2.14	(0.20)	20.56" (522)	14.95" (380)	3.32 (0.31)	2.14 (0.20)	48.56" (1233)	5.79 (0.54)	
244DH2036	2.56	(0.24)	20.56" (522)	17.95" (456)	4.05 (0.38)	2.56 (0.24)	42.56" (1081)	6.77 (0.63)	
244DH2040	2.99	(0.28)	20.56" (522)	20.95" (532)	4.78 (0.44)	2.99 (0.28)	36.56" (929)	7.75 (0.72)	
244DH2046	3.42	(0.32)	20.56" (522)	23.95" (608)	5.51 (0.51)	3.42 (0.32)	30.56" (776)	8.73 (0.81)	
244DH2049	3.63	(0.34)	20.56" (522)	25.45" (647)	5.88 (0.55)	3.63 (0.34)	27.56" (700)	9.22 (0.86)	
244DH2050	3.85	(0.36)	20.56" (522)	26.95" (685)	6.24 (0.58)	3.85 (0.36)	24.56" (624)	9.71 (0.90)	
244DH2056	4.28	(0.40)	20.56" (522)	29.95" (761)	6.97 (0.65)	4.28 (0.40)	18.56" (471)	10.69 (0.99)	
244DH2060	4.71	(0.44)	20.56" (522)	32.95" (837)	7.70 (0.72)	4.71 (0.44)	12.56" (319)	11.67 (1.08)	
244DH2430	2.55	(0.24)	24.56" (624)	14.95" (380)	4.08 (0.38)	2.55 (0.24)	48.56" (1233)	6.78 (0.63)	
244DH2436	3.06	(0.28)	24.56" (624)	17.95" (456)	4.98 (0.46)	3.06 (0.28)	42.56" (1081)	7.93 (0.74)	
244DH2440	3.57	(0.33)	24.56" (624)	20.95" (532)	5.88 (0.55)	3.57 (0.33)	36.56" (929)	9.07 (0.84)	
244DH2446	4.09	(0.38)	24.56" (624)	23.95" (608)	6.77 (0.63)	4.09 (0.38)	30.56" (776)	10.22 (0.95)	
244DH2449	4.34	(0.40)	24.56" (624)	25.45" (647)	7.22 (0.67)	4.34 (0.40)	27.56" (700)	10.79 (1.00)	
244DH2450	4.60	(0.43)	24.56" (624)	26.95" (685)	7.67 (0.71)	4.60 (0.43)	24.56" (624)	11.36 (1.06)	
244DH2456	5.11	(0.48)	24.56" (624)	29.95" (761)	8.56 (0.80)	5.11 (0.48)	18.56" (471)	12.51 (1.16)	
244DH2460	5.62	(0.52)	24.56" (624)	32.95" (837)	9.46 (0.88)	5.62 (0.52)	12.56" (319)	13.65 (1.27)	
244DH2830	2.97	(0.28)	28.56" (725)	14.95" (380)	4.84 (0.45)	2.97 (0.28)	48.56" (1233)	7.77 (0.72)	
244DH2836	3.56	(0.33)	28.56" (725)	17.95" (456)	5.91 (0.55)	3.56 (0.33)	42.56" (1081)	9.08 (0.91)	
244DH2840	4.16	(0.39)	28.56" (725)	20.95" (532)	6.97 (0.65)	4.16 (0.39)	36.56" (929)	10.39 (0.97)	
244DH2846	4.75	(0.44)	28.56" (725)	23.95" (608)	8.03 (0.75)	4.75 (0.44)	30.56" (776)	11.70 (1.09)	
244DH2849	5.05	(0.47)	28.56" (725)	25.45" (647)	8.56 (0.80)	5.05 (0.47)	27.56" (700)	12.36 (1.15)	
244DH2850	5.35	(0.50)	28.56" (725)	26.95" (685)	9.09 (0.84)	5.35 (0.50)	24.56" (624)	13.02 (1.21)	
244DH2856 ◊	5.94	(0.55)	28.56" (725)	29.95" (761)	10.16 (0.94)	5.94 (0.55)	18.56" (471)	14.33 (1.33)	
244DH2860 ◊	6.54	(0.61)	28.56" (725)	32.95" (837)	11.22 (1.04)	6.54 (0.61)	12.56" (319)	15.64 (1.45)	
244DH3030	3.38	(0.31)	32.56" (827)	14.95" (380)	5.60 (0.52)	3.38 (0.31)	48.56" (1233)	8.75 (0.81)	
244DH3036	4.06	(0.38)	32.56" (827)	17.95" (456)	6.83 (0.64)	4.06 (0.38)	42.56" (1081)	10.23 (0.95)	
244DH3040	4.74	(0.44)	32.56" (827)	20.95" (532)	8.06 (0.75)	4.74 (0.44)	36.56" (929)	11.71 (1.09)	
244DH3046	5.42	(0.50)	32.56" (827)	23.95" (608)	9.29 (0.86)	5.42 (0.50)	30.56" (776)	13.19 (1.23)	
244DH3049 ◊	5.76	(0.54)	32.56" (827)	25.45" (647)	9.91 (0.92)	5.76 (0.54)	27.56" (700)	13.93 (1.29)	
244DH3050 ◊	6.09	(0.57)	32.56" (827)	26.95" (685)	10.52 (0.98)	6.09 (0.57)	24.56" (624)	14.67 (1.36)	
244DH3056 ◊	6.77	(0.63)	32.56" (827)	29.95" (761)	11.75 (1.09)	6.77 (0.63)	18.56" (471)	16.15 (1.50)	
244DH3060 ◊	7.45	(0.69)	32.56" (827)	32.95" (837)	12.98 (1.21)	7.45 (0.69)	12.56" (319)	17.63 (1.64)	
244DH3430	3.80	(0.35)	36.56" (929)	14.95" (380)	6.36 (0.59)	3.80 (0.35)	48.56" (1233)	9.74 (0.91)	
244DH3436	4.56	(0.42)	36.56" (929)	17.95" (456)	7.76 (0.72)	4.56 (0.42)	42.56" (1081)	11.38 (1.06)	
244DH3440	5.32	(0.49)	36.56" (929)	20.95" (532)	9.16 (0.85)	5.32 (0.49)	36.56" (929)	13.03 (1.21)	
244DH3446	6.08	(0.57)	36.56" (929)	23.95" (608)	10.55 (0.98)	6.08 (0.57)	30.56" (776)	14.68 (1.36)	
244DH3449 ◊	6.46	(0.60)	36.56" (929)	25.45" (647)	11.25 (1.05)	6.46 (0.60)	27.56" (700)	15.50 (1.44)	
244DH3450 ◊	6.84	(0.64)	36.56" (929)	26.95" (685)	11.95 (1.11)	6.84 (0.64)	24.56" (624)	16.32 (1.52)	
244DH3456 ◊	7.61	(0.71)	36.56" (929)	29.95" (761)	13.34 (1.24)	7.61 (0.71)	18.56" (471)	17.97 (1.67)	
244DH3460 ◊	8.37	(0.78)	36.56" (929)	32.95" (837)	14.74 (1.37)	8.37 (0.78)	12.56" (319)	19.61 (1.82)	

**Tilt-Wash Transom Window Specifications**

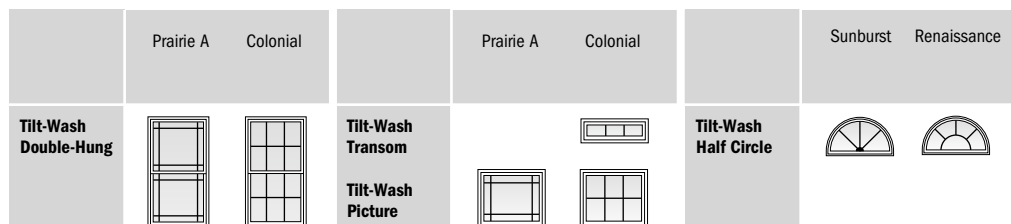
Window Number	Glass Area Sq. Ft./ (m <sup>2</sup> )	Overall Window Area Sq. Ft./ (m <sup>2</sup> )
244FX1810	0.52 (0.05)	1.56 (0.15)
244FX1816	1.08 (0.10)	2.37 (0.22)
244FX1820	1.64 (0.15)	3.18 (0.30)
244FX2010	0.67 (0.06)	1.88 (0.17)
244FX2016	1.40 (0.13)	2.86 (0.27)
244FX2020	2.13 (0.20)	3.84 (0.36)
244FX2410	0.82 (0.08)	2.20 (0.20)
244FX2416	1.72 (0.16)	3.34 (0.31)
244FX2420	2.61 (0.24)	4.49 (0.42)
244FX2810	0.97 (0.09)	2.52 (0.23)
244FX2816	2.04 (0.19)	3.83 (0.36)
244FX2820	3.10 (0.29)	5.14 (0.48)
244FX3010	1.13 (0.11)	2.84 (0.26)
244FX3016	2.36 (0.22)	4.31 (0.40)
244FX3020	3.59 (0.33)	5.79 (0.54)
244FX3410	1.28 (0.12)	3.15 (0.29)
244FX3416	2.68 (0.25)	4.80 (0.45)
244FX3420	4.07 (0.38)	6.45 (0.60)

**Tilt-Wash Half Circle Area Specifications**

Window Number	Glass Area Sq. Ft./ (m <sup>2</sup> )	Overall Window Area Sq. Ft./ (m <sup>2</sup> )
244CT18	0.50 (0.05)	1.43 (0.13)
244CT20	0.84 (0.08)	1.98 (0.18)
244CT24	1.26 (0.12)	2.61 (0.24)
244CT28	1.77 (0.16)	3.33 (0.31)
244CT30	2.37 (0.22)	4.15 (0.39)
244CT34	3.06 (0.28)	5.04 (0.47)

\* Dimensions in parentheses are in square meters.

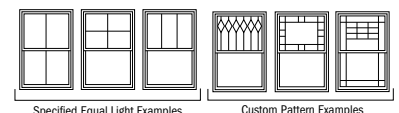
\*\* Top of Subfloor to Top of Inside Sill Stop" is calculated based upon a structural header height of 6'-10 1/2" (2096).  
 • Dimensions in parentheses are in millimeters or square meters.  
 ◊ Meet or exceed clear opening area of 5.7 sq. ft. or 0.53 m<sup>2</sup>, clear opening width of 20" (508) and clear opening height of 24" (610).

**Grille Patterns**


Specified equal light and custom patterns are also available. For more information on divided light, see page 9 or visit [andersenwindows.com/grilles](http://andersenwindows.com/grilles).

Patterns are available for all units also in upper sash only (USO). **Number of lights and overall pattern varies with window size.**

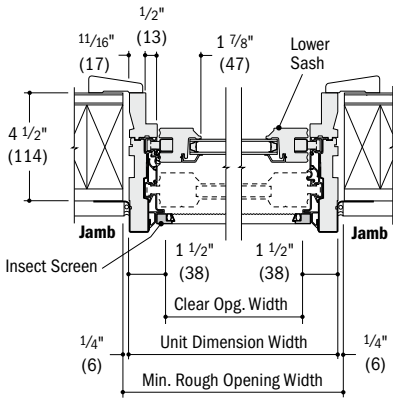
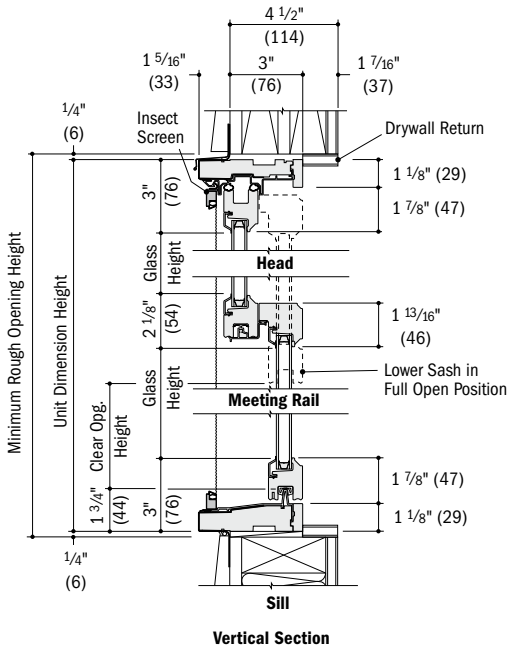
**Patterns are not available in all configurations.** Additional picture window patterns are available, contact your Andersen supplier.



# TILT-WASH DOUBLE-HUNG WINDOWS

## Tilt-Wash Double-Hung Window Details

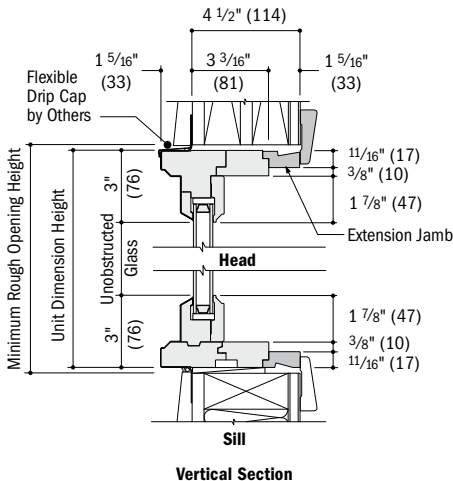
Scale 1 1/2" (38) = 1'-0" (305) – 1:8



Horizontal Section

## Tilt-Wash Half Circle Window Detail

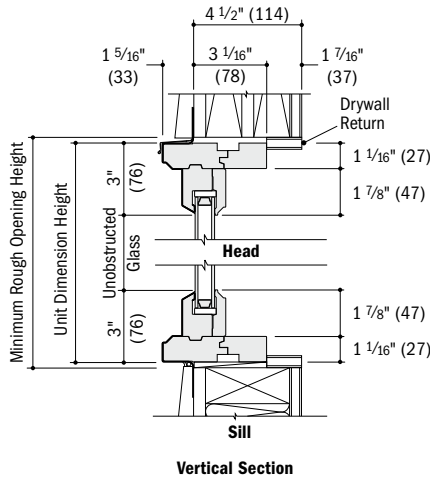
Scale 1 1/2" (38) = 1'-0" (305) – 1:8



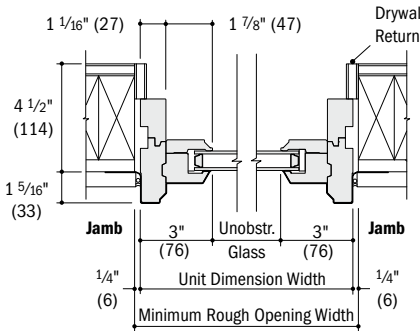
Vertical Section

## Tilt-Wash Picture/Transom Window Details

Scale 1 1/2" (38) = 1'-0" (305) – 1:8



Vertical Section



Horizontal Section

## Vertical (ribbon) Joining Detail

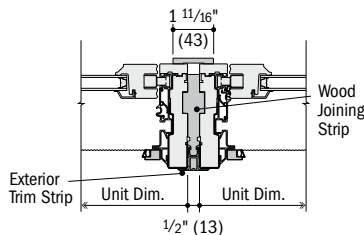
Scale 1 1/2" (38) = 1'-0" (305) – 1:8

### Overall Window Dimension Width

Sum of individual window widths plus 1/2" (13) for each join.

### Overall Rough Opening Width

Overall window dimension width plus 1/2" (13).

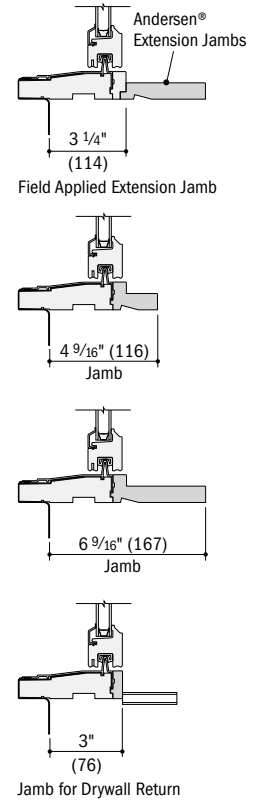


Horizontal Section

Tilt-Wash Double-Hung to Tilt-Wash Double-Hung

## Extension Jamb Details

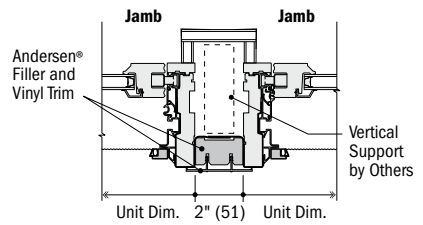
Scale 1 1/2" (38) = 1'-0" (305) – 1:8



## Separate Rough Openings Detail

Scale 1 1/2" (38) = 1'-0" (305) – 1:8

To meet structural requirements or to achieve a wider joined appearance, windows may be installed into separate rough openings having vertical support (by others) in combination with Andersen® exterior filler and exterior vinyl trim.



Horizontal Section

Tilt-Wash Double-Hung and Tilt-Wash Double-Hung

For more joining information, see the combination designs section starting on page 51.

- Light-colored areas are parts included with window. Dark-colored areas are additional Andersen® parts required to complete window assembly as shown.
- Rough openings may need to be increased to allow for use of building wraps, flashing, sill panning, brackets, fasteners or other items. See installation information on pages 62-63.
- Details are for illustration only and are not intended to represent product installation methods or materials. Refer to product installation guides at andersenwindows.com.
- Consult with an architect or structural engineer regarding minimum requirements for structural support members between adjacent rough openings.
- Dimensions in parentheses are in millimeters.

# GLIDING WINDOWS

200 Series  
Gliding Windows



## SECTION REFERENCE

Tables of Sizes .....	19-20
Grille Patterns .....	20
Specifications .....	21
Window Details .....	21-22
Product Performance.....	56

# GLIDING WINDOWS

## FEATURES

### Frame

**A** The exterior of the frame is covered with a seamless rigid vinyl cover to eliminate corner joints/welds and strengthen rigidity. It provides an attractive appearance while minimizing maintenance.

**B** Laminated veneer lumber frame provides increased rigidity and minimizes racking during installation. It is treated with a water-repellent wood preservative for long-lasting\* protection and performance.

**C** Full-perimeter installation flange makes installation easy and fast with little or no adjustment. It's fixed, seamless and totally integrated with the frame for weathertightness.

**D** Flexible weatherstrip around all four sides is factory installed and provides a tight seal between the sash and frame.

### Sash

**E** A polyester stabilized coat with a Flexacron® finish is electrostatically applied to penetrate all exterior surfaces for maximum protection and a lustrous finish.

**F** Wood sash members are treated with a water-repellent wood preservative for long-lasting\* protection and performance.

**G** Sash interior surfaces are unfinished pine. Prefinished white interiors are also available.



**H** Raised track system makes operation less sensitive to dirt build-up for continually smooth performance.

### Glass

**I** Choose Low-E, Low-E HeatLock®, Low-E SmartSun™, Low-E SmartSun HeatLock or dual-pane glass. Tempered glass and other glass options are available. Contact your Andersen supplier.

A removable translucent film helps shield the glass from damage during delivery and construction and simplifies finishing at the jobsite.

## EXTERIOR



White Sandtone

## INTERIOR



Pine White

Naturally occurring variations in grain, color and texture of wood make each window one of a kind. All wood interiors are unfinished unless prefinished white is specified.

## HARDWARE FINISHES



Stone White

## GLIDING WINDOW HARDWARE



Lock & Keeper

Stone | **White**

Additional lock and keeper finishes are available, contact your Andersen supplier.

Stone finish is standard for pine interiors. White finish is standard for white interiors. Bold name denotes finish shown.



**CLASSIC SERIES™**

Pull

Stone | **White**

## ACCESSORIES Sold Separately

### Frame

#### Extension Jamb

Standard jamb depth is 2 3/4" (70). Extension jamb are available in unfinished pine or prefinished White. Some sizes may be veneered.

Factory-applied and non-applied extension jamb are available in 1/16" (1.5) increments between 4 9/16" (114) and 7 1/8" (181). Extension jamb can be factory-applied to four sides (picture frame casing).

#### Drywall Return

The 200 Series gliding window is available with a narrow 2 3/4" (70) jamb depth with a flat interior surface for easy drywall return. Available in pine or prefinished white.

#### Two-Tone Option

200 Series gliding windows are available with a two-tone color configuration, featuring a prefinished white interior and a Sandtone exterior. Some exterior components are visible from the interior. Corresponding picture and transom units, as well as grilles, are available to match.

#### Window Opening Control Device Kit



A Window Opening Control Device Kit is available, which limits the sash travel to less than 4" (102) when the window is first opened. Available factory applied or field applied in stone and white.

### Security Sensors

#### Open/Closed Sensors

Wireless open/closed sensors are available in four colors. See page 6 for details.

### Insect Screens

#### Full Insect Screen

Full insect screens are available in colors to match product exteriors.

#### TruScene® Insect Screen

Exclusive Andersen® TruScene insect screens provide over 50% more clarity than our conventional insect screens for a beautiful unobstructed view. They allow more fresh air and sunlight in, while doing a better job of keeping out small insects.

#### Conventional Insect Screen

Conventional insect screens have a long-lasting\* fiberglass screen mesh with a charcoal finish.

#### Exterior Trim

This product is available with Andersen exterior trim. See pages 45-50 for details.

#### CAUTION:

- Painting and staining may cause damage to rigid vinyl and is not recommended.
- Andersen does not warrant the adhesion or performance of homeowner-applied paint over vinyl or other factory-coated surfaces.
- Do not paint weatherstrip.
- Creosote-based stains should not come in contact with Andersen products.
- Abrasive cleaners or solutions containing corrosive solvents should not be used on Andersen products.

For more information about **glass, grilles and insect screens**, see pages 8-9.

For more information about **product performance, installation instructions and accessories**, see pages 56-63 or visit [andersenwindows.com](http://andersenwindows.com).

Dimensions in parentheses are in millimeters. \*Flexacron® is a registered trademark of PPG Industries, Inc.

**Table of Gliding Window Sizes**

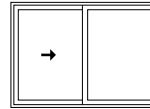
Scale 1/8" (3) = 1'-0" (305) – 1:96

Window Dimension	2'-11 1/2"	3'-11 1/2"	4'-11 1/2"	5'-11 1/2"
	(902)	(1207)	(1511)	(1816)
<b>Minimum Rough Opening</b>	3'-0"	4'-0"	5'-0"	6'-0"
	(914)	(1219)	(1524)	(1829)
Unobstructed Glass (single sash only)	13 11/16"	19 11/16"	25 11/16"	31 11/16"
	(348)	(500)	(652)	(805)

1'-5 1/2"	1'-6"	1'-11 1/2"	
(445)	(457)	(292)	
			244GW4016
1'-11 1/2"	2'-0"	17 1/2"	
(597)	(610)	(445)	
			244GW3020 244GW4020
2'-11 1/2"	3'-0"	29 1/2"	
(902)	(914)	(749)	
			244GW3030 244GW4030 244GW5030 <sup>Ø</sup> 244GW6030 <sup>Ø</sup>
3'-5 1/2"	3'-6"	35 1/2"	
(1054)	(1067)	(902)	
			244GW3036 244GW4036 244GW5036 <sup>Ø</sup> 244GW6036 <sup>Ø</sup>
3'-11 1/2"	4'-0"	41 1/2"	
(1207)	(1219)	(1054)	
			244GW3040 244GW4040 <sup>Ø</sup> 244GW5040 <sup>Ø</sup> 244GW6040 <sup>Ø</sup>
4'-5 1/2"	4'-6"	47 1/2"	
(1359)	(1372)	(1207)	
			244GW4046 <sup>Ø</sup> 244GW5046 <sup>Ø</sup> 244GW6046 <sup>Ø</sup>
4'-11 1/2"	5'-0"	53 1/2"	
(1511)	(1524)	(1359)	
			244GW4050 <sup>Ø</sup> 244GW5050 <sup>Ø</sup> 244GW6050 <sup>Ø</sup>

• "Window Dimension" always refers to outside frame to frame dimension.  
 • "Minimum Rough Opening" dimensions may need to be increased to allow for use of building wraps, flashing, sill panning, brackets, fasteners or other items. See pages 62-63 for more details.  
 • Dimensions in parentheses are in millimeters.  
<sup>Ø</sup>Meet or exceed clear opening area of 5.7 sq. ft. or 0.53 m<sup>2</sup>, clear opening width of 20" (508) and clear opening height of 24" (610). See table on page 21.



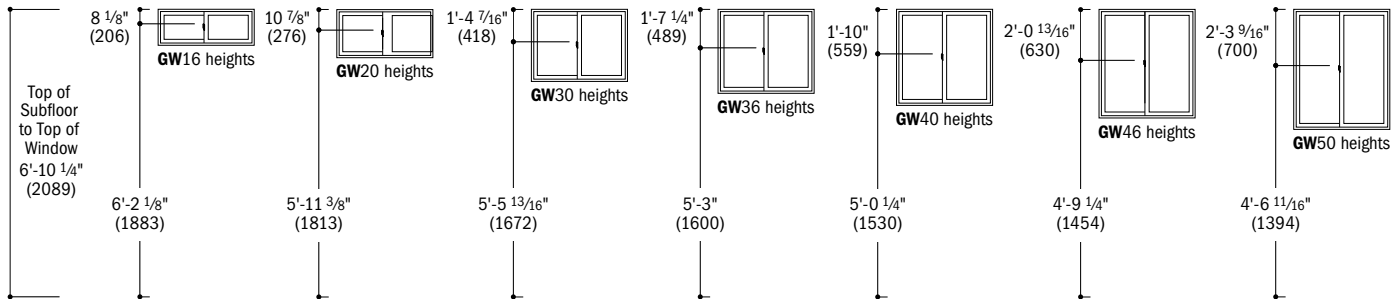
Active Stationary

Viewed from the exterior.

Grille patterns shown on page 20.

**Lock Location**

Dimensions shown are from top of lock.



• Dimensions in parentheses are in millimeters.

# GLIDING WINDOWS

## Table of Picture Window Sizes

Scale 1/8" (3) = 1'-0" (305) – 1:96

Window Dimension	2'-11 1/2" (902)	3'-11 1/2" (1207)	4'-5 1/2" (1359)	4'-8 1/2" (1435)	4'-11 1/2" (1511)	5'-5 1/2" (1664)	5'-11 1/2" (1816)
<b>Minimum Rough Opening</b>	3'-0" (914)	4'-0" (1219)	4'-6" (1372)	4'-9" (1448)	5'-0" (1524)	5'-6" (1676)	6'-0" (1829)
Unobstructed Glass	29 1/2" (749)	41 1/2" (1054)	47 1/2" (1207)	50 1/2" (1283)	53 1/2" (1359)	59 1/2" (1511)	65 1/2" (1664)

2'-11 1/2" (902)	3'-0" (914)	29 1/2" (749)							
244FX3030	244FX4030	244FX4630	244FX4930	244FX5030	244FX5630	244FX6030			
3'-11 1/2" (1207)	4'-0" (1219)	41 1/2" (1054)							
244FX3040	244FX4040	244FX4640	244FX4940	244FX5040	244FX5640	244FX6040			
4'-5 1/2" (1359)	4'-6" (1372)	47 1/2" (1207)							
244FX3046	244FX4046	244FX4646	244FX4946	244FX5046	244FX5646	244FX6046			
4'-11 1/2" (1511)	5'-0" (1524)	53 1/2" (1359)							
244FX3050	244FX4050	244FX4650	244FX4950	244FX5050	244FX5650	244FX6050			

Basic frame dimensions for gliding windows and picture windows are different. When joining, specify common extension jamb dimensions [i.e. 4 9/16" (116) or 6 9/16" (167)].

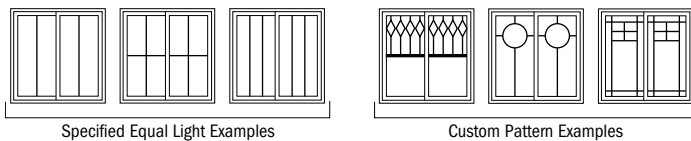
Grille patterns shown below.

- \* "Window Dimension" always refers to outside frame to frame dimension.
- \* "Minimum Rough Opening" dimensions may need to be increased to allow for use of building wraps, flashing, sill panning, brackets, fasteners or other items. See pages 62-63 for more details.
- \* Dimensions in parentheses are in millimeters.

## Grille Patterns

	Prairie A	Colonial
<b>Gliding</b>		
<b>Picture</b>		

**Number of lights and overall pattern varies with window size. Patterns are not available in all configurations.** Additional picture window patterns are available, contact your Andersen supplier. Specified equal light and custom patterns are also available. For more information on divided light, see page 9 or visit [andersenwindows.com/grilles](http://andersenwindows.com/grilles).



**Gliding Window Opening and Area Specifications**

Window Number	Clear Opening Area Sq. Ft./ (m <sup>2</sup> )	Clear Opening Full Open Position		Glass Area Sq. Ft./ (m <sup>2</sup> )	Top of Subfloor to Top of Inside Sill Stop Inches/(mm)	Overall Window Area Sq. Ft./ (m <sup>2</sup> )
		Width Inches/(mm)	Height Inches/(mm)			
244GW3020	2.10 (0.20)	15" (381)	20 1/8" (511)	3.32 (0.31)	60 7/16" (1535)	5.79 (0.54)
244GW3030	3.34 (0.31)	15" (381)	32 1/8" (816)	5.60 (0.52)	48 7/16" (1230)	8.75 (0.81)
244GW3036	3.97 (0.37)	15" (381)	38 1/8" (968)	6.74 (0.63)	42 7/16" (1078)	10.23 (0.95)
244GW3040	4.59 (0.43)	15" (381)	44 1/8" (1121)	7.88 (0.73)	36 7/16" (925)	11.71 (1.09)
244GW4016	2.06 (0.19)	21" (533)	14 1/8" (359)	3.14 (0.29)	66 7/16" (1687)	5.77 (0.54)
244GW4020	2.93 (0.27)	21" (533)	20 1/8" (511)	4.78 (0.44)	60 7/16" (1535)	7.75 (0.72)
244GW4030	4.68 (0.44)	21" (533)	32 1/8" (816)	8.06 (0.75)	48 7/16" (1230)	11.71 (1.09)
244GW4036	5.56 (0.52)	21" (533)	38 1/8" (968)	9.70 (0.90)	42 7/16" (1078)	13.69 (1.27)
244GW4040 ◊	6.43 (0.60)	21" (533)	44 1/8" (1120)	11.34 (1.05)	36 7/16" (925)	15.67 (1.46)
244GW4046 ◊	7.31 (0.68)	21" (533)	50 1/8" (1273)	12.98 (1.21)	30 7/16" (773)	17.65 (1.64)
244GW4050 ◊	8.18 (0.76)	21" (533)	56 1/8" (1425)	14.62 (1.36)	24 7/16" (620)	19.63 (1.82)
244GW5030 ◊	6.02 (0.56)	27" (686)	32 1/8" (816)	10.52 (0.98)	48 7/16" (1230)	14.69 (1.37)
244GW5036 ◊	7.14 (0.66)	27" (686)	38 1/8" (968)	12.66 (1.18)	42 7/16" (1078)	17.15 (1.59)
244GW5040 ◊	8.27 (0.77)	27" (686)	44 1/8" (1121)	14.80 (1.38)	36 7/16" (925)	19.63 (1.82)
244GW5046 ◊	9.39 (0.87)	27" (686)	50 1/8" (1273)	16.94 (1.57)	30 7/16" (773)	22.11 (2.05)
244GW5050 ◊	10.52 (0.98)	27" (686)	56 1/8" (1425)	19.08 (1.77)	24 7/16" (620)	24.59 (2.28)
244GW6030 ◊	7.36 (0.68)	33" (838)	32 1/8" (816)	12.98 (1.21)	48 7/16" (1230)	17.63 (1.64)
244GW6036 ◊	8.73 (0.81)	33" (838)	38 1/8" (968)	15.62 (1.45)	42 7/16" (1078)	20.61 (1.92)
244GW6040 ◊	10.11 (0.94)	33" (838)	44 1/8" (1121)	18.26 (1.70)	36 7/16" (925)	23.59 (2.19)
244GW6046 ◊	11.48 (1.07)	33" (838)	50 1/8" (1273)	20.90 (1.94)	30 7/16" (773)	26.56 (2.47)
244GW6050 ◊	12.86 (1.20)	33" (838)	56 1/8" (1425)	23.54 (2.19)	24 7/16" (620)	29.54 (2.74)

\*"Top of Subfloor to Top of Inside Sill Stop" is calculated based upon a structural header height of 6'-10 1/2" (2096).  
 •Dimensions in parentheses are in millimeters or square meters.  
 ◊Meet or exceed clear opening area of 5.7 sq. ft. or 0.53 m<sup>2</sup>, clear opening width of 20" (508) and clear opening height of 24" (610).

**Picture Window Area Specifications**

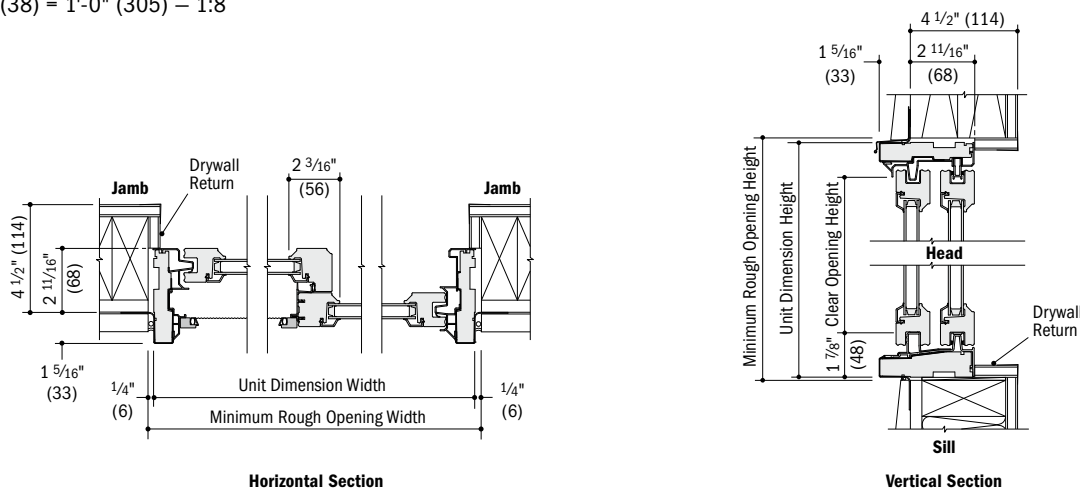
Window Number	Glass Area Sq. Ft./ (m <sup>2</sup> )	Overall Window Area Sq. Ft./ (m <sup>2</sup> )
244FX3030	6.04 (0.56)	8.75 (0.81)
244FX3040	8.50 (0.79)	11.71 (1.09)
244FX3046	9.73 (0.90)	13.19 (1.23)
244FX3050	10.96 (1.02)	14.67 (1.36)
244FX4030	8.50 (0.79)	11.71 (1.09)
244FX4040	11.96 (1.11)	15.67 (1.46)
244FX4046	13.69 (1.27)	17.65 (1.64)
244FX4050	15.42 (1.43)	19.63 (1.82)
244FX4630	9.73 (0.90)	13.19 (1.23)
244FX4640	13.69 (1.27)	17.65 (1.64)
244FX4646	15.67 (1.46)	19.88 (1.85)
244FX4650	17.65 (1.64)	22.11 (2.05)
244FX4930	10.35 (0.96)	13.93 (1.29)
244FX4940	14.55 (1.35)	18.64 (1.73)
244FX4946	16.66 (1.55)	20.99 (1.95)
244FX4950	18.76 (1.74)	23.35 (2.17)
244FX5030	10.96 (1.02)	14.67 (1.36)
244FX5040	15.42 (1.43)	19.63 (1.82)
244FX5046	17.65 (1.64)	22.11 (2.05)
244FX5050	19.88 (1.85)	24.59 (2.28)
244FX5630	12.19 (1.13)	16.15 (1.50)
244FX5640	17.15 (1.59)	21.61 (2.01)
244FX5646	19.63 (1.82)	24.34 (2.26)
244FX5650	22.11 (2.05)	27.06 (2.51)
244FX6030	13.42 (1.25)	17.63 (1.64)
244FX6040	18.88 (1.75)	23.59 (2.19)
244FX6046	21.61 (2.01)	26.56 (2.47)
244FX6050	24.34 (2.26)	29.54 (2.75)

• Dimensions in parentheses are in square meters.

200 Series  
Gliding Windows

**Gliding Window Details**

Scale 1 1/2" (38) = 1'-0" (305) – 1:8

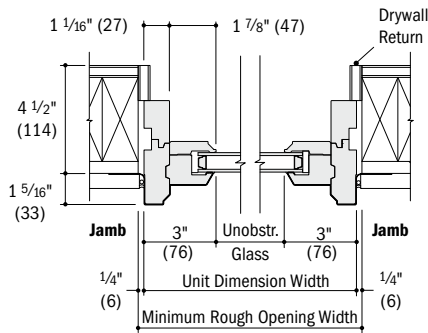


• Light-colored areas are parts included with window. Dark-colored areas are additional Andersen® parts required to complete window assembly as shown.  
 • Rough openings may need to be increased to allow for use of building wraps, flashing, sill panning, brackets, fasteners or other items. See installation information on pages 62-63.  
 • Details are for illustration only and are not intended to represent product installation methods or materials. Refer to product installation guides at andersenwindows.com.  
 • Dimensions in parentheses are in millimeters.

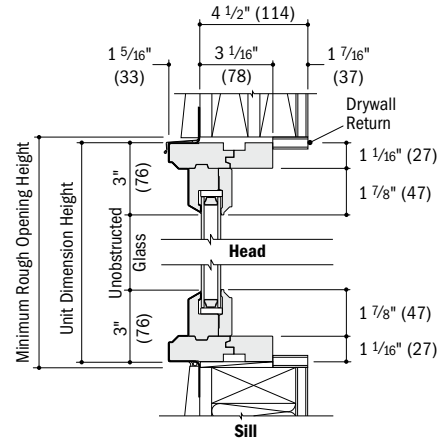
# GLIDING WINDOWS

## Picture Window Details

Scale 1 1/2" (38) = 1'-0" (305) – 1:8



**Horizontal Section**

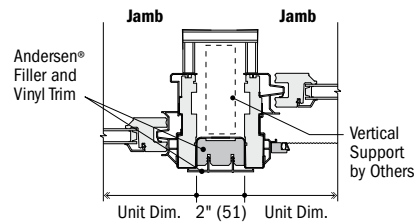


**Vertical Section**

## Separate Rough Openings Detail

Scale 1 1/2" (38) = 1'-0" (305) – 1:8

To meet structural requirements or to achieve a wider joined appearance, windows may be installed into separate rough openings having vertical support (by others) in combination with Andersen® exterior filler and exterior vinyl trim.



**Horizontal Section**  
Gliding and Gliding

- Light-colored areas are parts included with window. Dark-colored areas are additional Andersen® parts required to complete window assembly as shown.
- **Rough openings may need to be increased to allow for use of building wraps, flashing, sill panning, brackets, fasteners or other items. See installation information on pages 62-63.**
- Details are for illustration only and are not intended to represent product installation methods or materials. Refer to product installation guides at andersenwindows.com.
- Consult with an architect or structural engineer regarding minimum requirements for structural support members between adjacent rough openings.
- Dimensions in parentheses are in millimeters.



# NARROLINE® GLIDING PATIO DOORS

200 Series  
Narroline® Gliding  
Patio Doors

## SECTION REFERENCE

Table of Sizes.....	26
Custom Sizes .....	27
Specifications .....	27
Grille Patterns .....	28
Door Details.....	28-29
Joining Details .....	29
Combination Designs .....	51
Product Performance.....	56

### CUSTOM SIZING

in 1/8" (3) increments



Dimensions in parentheses are in millimeters.

# NARROLINE® GLIDING PATIO DOORS

## FEATURES

### Frame

**A** For single- or two-panel configurations, the sill has an anodized aluminum track with a stainless steel cap that resists stain, rust and denting.\* On four-panel doors, sills have an attractive, water-repellent baked-on finish in a neutral gray color.

A thermal barrier reduces conductive heat loss and limits condensation on the inside. The exterior portion of the sill is also anodized aluminum.

**B** All basic exterior frame members are covered with a rigid vinyl that maintains an attractive appearance while minimizing maintenance.

**C** Wood frame members are treated with a water-repellent preservative for long-lasting\*\* protection and performance. Interior frame trim pieces are unfinished pine.

Factory-assembled two-panel doors are available and arrive at the jobsite ready to install. Unassembled doors are also available and require jobsite assembly.

**D** A flexible vinyl weatherstrip on the head and side jambs provides a positive seal between the frame and panels.

### Panel

**E** The exterior of the wood door panel is protected by a low-maintenance urethane base finish in white, canvas, Sandtone, Terratone, dark bronze or black.

**F** Laminated veneer lumber panels provide excellent structural stability and energy efficiency.

Panel interior surfaces are unfinished pine, ready for natural stain or paint finish.



Dual ball-bearing rollers on door panels provide smooth gliding operation with self-contained leveling adjusters.

### Flexible Seal



A full-length combination weatherstrip/interlock system provides a flexible seal at the meeting stile.

### Sill

For single- and two-panel doors, sills can be ordered with an attractive water-repellent baked-on finish in a neutral gray color.

### Glass

**G** Panels are silicone bed glazed and finished with an interior wood stop.

**H** Choose Low-E tempered, Low-E HeatLock® tempered, Low-E SmartSun™ tempered, Low-E SmartSun HeatLock tempered or dual-pane tempered glass.

Additional glass options are available. Contact your Andersen supplier.

A removable translucent film helps shield the glass from damage during delivery and construction and simplifies finishing at the jobsite.

### Locking System

#### Reachout Locking Hardware



The unique Andersen® reachout locking system pulls the door panel snugly into the jamb for weathertightness and enhanced security.

## EXTERIOR



White Canvas Sandtone Terratone



Dark Bronze Black

## INTERIOR



Unfinished Pine White Pine

Naturally occurring variations in grain, color and texture of wood make each door one of a kind.

## HARDWARE FINISHES



Antique Brass Black Bright Brass Brushed Chrome Distressed Bronze Distressed Nickel



Gold Dust Oil Rubbed Bronze Polished Chrome Satin Nickel Stone White

Distressed bronze and oil rubbed bronze are "living" finishes that will change with time and use.

## GLIDING PATIO DOOR HARDWARE OPTIONS\*\* Bold name denotes finish shown.



### YUMA®

Distressed Bronze  
**Distressed Nickel**



### ENCINO®

**Distressed Bronze**  
Distressed Nickel



### NEWBURY®

Antique Brass  
Bright Brass  
Brushed Chrome  
**Oil Rubbed Bronze**  
Polished Chrome  
Satin Nickel



### ANVERS®

Bright Brass  
Oil Rubbed Bronze  
**Satin Nickel**



### COVINGTON™

Antique Brass  
**Bright Brass**  
Oil Rubbed Bronze



### WHITMORE®

**Antique Brass**  
Bright Brass  
Oil Rubbed Bronze  
Satin Nickel



### ALBANY

Black  
**Gold Dust**  
Stone  
White



### TRIBECA®

Stone  
**White**

\* Visit andersenwindows.com/warranty for details.

\*\* Hardware sold separately.

Printing limitations prevent exact replication of colors and finishes. See your Andersen supplier for actual color and finish samples.

Tribeca and Albany hardware are zinc die cast with powder-coated durable finish. Other hardware is solid forged brass. Mix-and-match interior and exterior style and finish options are available. Bright brass and satin nickel finishes feature a 10-year limited warranty.

## ACCESSORIES Sold Separately

### Frame

#### Extension Jamb

Standard jamb depth is 4 9/16" (116). Pine, oak or maple veneer or prefinished white interior extension jambs are available in 1/16" (1.5) increments between 5 1/16" (129) and 7 1/8" (181).

#### Threshold



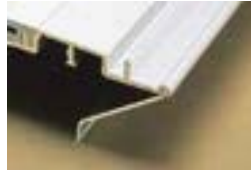
An oak or maple threshold is available for finishing the interior of the sill.

#### Ramped Sill Insert



Ramped sills in oak or maple provide smooth transition from interior to exterior and can be used with a retractable insect screen, but not a gliding insect screen. Shown with a 400 Series Frenchwood® gliding patio door. Check with local and federal officials to determine if product meets accessibility codes.

### Sill Support



An aluminum sill support is designed to lock into a channel under the sill and tie back into the wall. This will offer support to the outermost sill section when needed. Available in neutral gray finish.

### Hardware

#### Exterior Keyed Lock



A six-pin key cylinder lock is available in finishes that coordinate with hardware. This lock allows the gliding door to be locked and unlocked from the exterior.

#### Auxiliary Foot Lock



Provides an extra measure of security when the door is in a locked position. Lock can be set so the door is fully closed or partially open to provide a secure venting position. Available in all hardware finishes.

### Security Sensors

#### VeriLock® Sensors

VeriLock sensors are available in five colors. See page 6 for details.

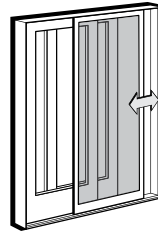
#### Open/Closed Sensors

Wireless open/closed sensors are available in four colors. See page 6 for details.

### Insect Screens

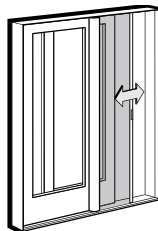
All insect screens have a long-lasting\* fiberglass screen mesh with a charcoal finish, and frames are color-matched to the exterior of the door unless otherwise specified.

#### Gliding Insect Screen



Patented square corner joint construction adds considerable strength to the frame members. The insect screen is available for both two-panel doors and four-panel doors. Gliding insect screens have Delrin® injection-molded bottom rollers with self-contained leveling adjusters, providing smooth operation. Interior and exterior pulls and latch are provided.

#### Retractable Insect Screen



The retractable insect screen is installed on the exterior of the door and opens side to side across the width of the opening. When the insect screen is not in use, it neatly retracts into a small canister mounted on the exterior of the door. The retractable insect screen canister is available for two-panel patio doors in our four standard exterior colors. Please note, retractable insect screen track reduces clear opening height by 1" (25)

### Grilles

Grilles are available in a variety of configurations and widths. For grille patterns, see page 28.

### Sidelights

Stationary units can also be selected for use as sidelights. See size table on page 26 for size options.

### Exterior Trim

This product is available with Andersen® exterior trim. See pages 45-50 for details.

#### CAUTION:

- Painting and staining may cause damage to rigid vinyl and is not recommended.
- Andersen does not warrant the adhesion or performance of homeowner-applied paint over vinyl or other factory-coated surfaces.
- Do not paint weatherstrip.
- Creosote-based stains should not come in contact with Andersen products.
- Abrasive cleaners or solutions containing corrosive solvents should not be used on Andersen products.

For more information about **glass, grilles and insect screens**, see pages 8-9.

For more information about **combination designs, product performance, installation instructions and accessories**, see pages 51-63 or visit [andersenwindows.com](http://andersenwindows.com).

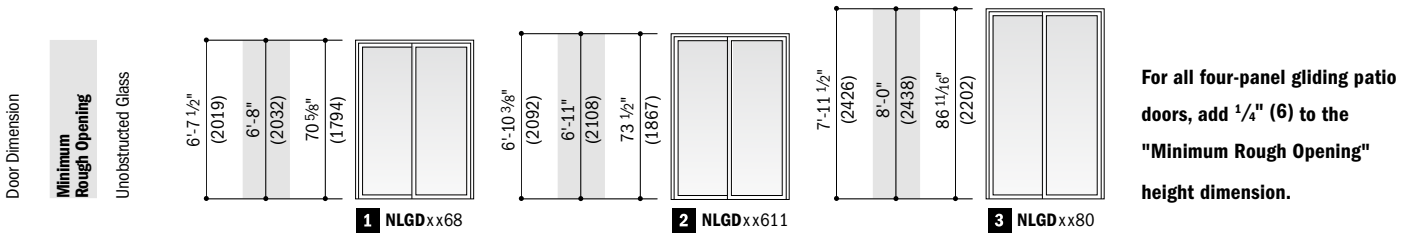
\* Visit [andersenwindows.com/warranty](http://andersenwindows.com/warranty) for details. Andersen patio doors are not intended for use as entrance doors.

Dimensions in parentheses are in millimeters.

\*Delrin® is a registered trademark of E.I. du Pont de Nemours and Company.

# NARROLINE® GLIDING PATIO DOORS

## Three Patio Door Heights



## Table of Narroline® Gliding Patio Door Sizes

Scale 1/8" = 1'-0" (1:96)

Door Dimension	2'-8"	4'-11 1/4"	4'-11 1/4"	9'-9"
Minimum Rough Opening	2'-8 3/4"	5'-0"	5'-0"	9'-9 3/4"
Unobstructed Glass (single panel only)	24 1/2"	24 1/2"	24 1/2"	24 1/2"
Door Dimension	3'-2"	5'-11 1/4"	5'-11 1/4"	11'-9"
Minimum Rough Opening	3'-2 3/4"	6'-0"	6'-0"	11'-9 3/4"
Unobstructed Glass (single panel only)	30 1/2"	30 1/2"	30 1/2"	30 1/2"
Door Dimension	4'-2"	7'-11 1/4"	7'-11 1/4"	15'-9"
Minimum Rough Opening	4'-2 3/4"	8'-0"	8'-0"	15'-9 3/4"
Unobstructed Glass (single panel only)	42 1/2"	42 1/2"	42 1/2"	42 1/2"



Custom-size doors are available in 1/8" (3) increments. See page 27 for custom sizes and specifications.

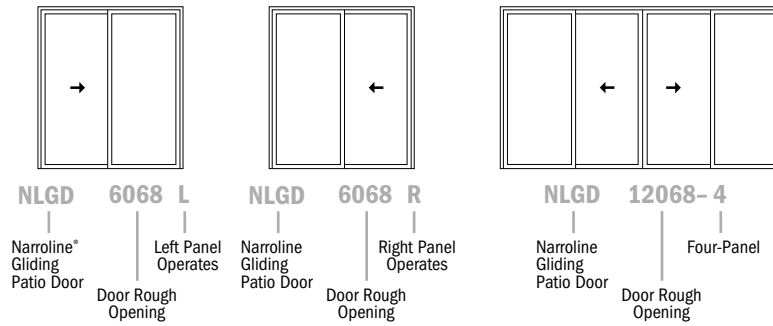
Viewed from the exterior. Arrow indicates direction of panel operation. Stationary (S) doors can be used as an individual unit or as a sidelight.

Grille patterns shown on page 28.

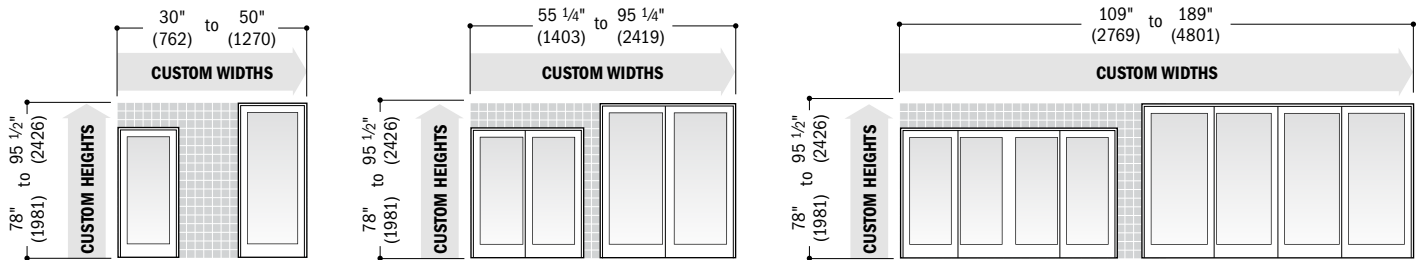
\* "Door Dimension" always refers to outside frame to frame dimension.  
 \* "Minimum Rough Opening" dimensions may need to be increased to allow for use of building wraps, flashing, sill panning, brackets, fasteners or other items. See pages 62-63 for more details.  
 \* Dimensions in parentheses are in millimeters.  
 \* Add 1/4" (6) to the "Minimum Rough Opening" height dimension for four-panel doors.

**Order Designation Description**

Viewed from the exterior.



**Custom Sizes and Specification Formulas**



200 Series  
Narrowline® Gliding  
Patio Doors

Clear Opening	Two-Panel	Minimum R.O.	Single-Panel & Two-Panel	Unobstr. Glass	Single-Panel
	$Width = (width + 2) - 7.5'' (191)$ $Height = height - 4.125'' (105)$		$Width = width + 3/4'' (19)$ $Height = height + 1/2'' (13)$		$Width = width - 9.5'' (241)$ $Height = height - 8.859'' (225)$
	$Width = (width + 2) - 13.75'' (349)$ $Height = height - 4.125'' (105)$		$Width = width + 3/4'' (19)$ $Height = height + 3/4'' (19)$		$Width = width - 10.25'' (260)$ $Height = height - 8.859'' (225)$
					$Width = width - 19.0'' (483)$ $Height = height - 8.859'' (225)$



Available in 1/8" (3) increments between minimum and maximum widths and heights shown. Some restrictions apply. Measurement guide can be found at

[andersenwindows.com/measure](http://andersenwindows.com/measure).

\* Dimensions in parentheses are in millimeters.

\* **Clear Opening** formulas provide dimensions for determining area available for egress. Vent opening, or area available for passage of air, is equal to clear opening.

**Minimum R.O.** (minimum rough opening) formulas provide minimum rough opening width and height dimensions. **Unobstr. Glass** (unobstructed glass) formulas provide dimensions for determining area available for passage of light.

**Two-Panel & Four-Panel Narrowline® Gliding Patio Door Opening and Area Specifications**

Door Number	Clear Opening Area Sq. Ft./ (m <sup>2</sup> )	Clear Opening in Full Open Position		Glass Area Sq. Ft./ (m <sup>2</sup> )	Vent Area Sq. Ft./ (m <sup>2</sup> )	Overall Door Area Sq. Ft./ (m <sup>2</sup> )
		Width Inches/ (mm)	Height Inches/ (mm)			
NLGD5068	11.58 (1.08)	22 1/8" (562)	75 3/8" (1915)	24.03 (2.23)	11.58 (1.08)	32.71 (3.04)
NLGD6068	14.72 (1.37)	28 1/8" (714)	75 3/8" (1915)	29.92 (2.78)	14.72 (1.37)	39.34 (3.66)
NLGD8068	21.00 (1.95)	40 1/8" (1020)	75 3/8" (1915)	41.69 (3.87)	21.00 (1.95)	52.59 (4.89)
NLGD10068	23.42 (2.18)	44 3/4" (1137)	75 3/8" (1915)	48.08 (4.47)	23.42 (2.18)	64.59 (6.00)
NLGD12068	29.70 (2.76)	56 3/4" (1441)	75 3/8" (1915)	59.84 (5.56)	29.71 (2.76)	77.84 (7.23)
NLGD16068	42.27 (3.93)	80 3/4" (2051)	75 3/8" (1915)	83.36 (7.74)	42.27 (3.93)	104.34 (9.69)
NLGD50611	12.04 (1.12)	22 1/8" (562)	78 3/16" (1986)	25.01 (2.32)	12.04 (1.12)	33.89 (3.15)
NLGD60611	15.31 (1.42)	28 1/8" (714)	78 3/16" (1986)	31.14 (2.89)	15.31 (1.42)	40.76 (3.79)
NLGD80611	21.84 (2.03)	40 1/8" (1020)	78 3/16" (1986)	43.39 (4.03)	21.84 (2.03)	54.49 (5.06)
NLGD100611	24.30 (2.26)	44 3/4" (1137)	78 3/16" (1986)	50.04 (4.65)	24.30 (2.26)	66.93 (6.22)
NLGD120611	30.81 (2.86)	56 3/4" (1441)	78 3/16" (1986)	62.28 (5.79)	30.81 (2.86)	80.66 (7.49)
NLGD160611	43.85 (4.07)	80 3/4" (2051)	78 3/16" (1986)	86.76 (8.06)	43.84 (4.07)	108.12 (10.04)
NLGD5080	14.04 (1.30)	22 1/8" (562)	91 3/8" (2321)	29.48 (2.74)	14.04 (1.30)	39.29 (3.65)
NLGD6080	17.85 (1.66)	28 1/8" (714)	91 3/8" (2321)	36.70 (3.41)	17.85 (1.66)	47.25 (4.39)
NLGD8080	25.46 (2.37)	40 1/8" (1020)	91 3/8" (2321)	51.14 (4.75)	25.46 (2.37)	63.17 (5.87)
NLGD10080	28.40 (2.64)	44 3/4" (1137)	91 3/8" (2321)	58.96 (5.48)	28.40 (2.64)	77.59 (7.21)
NLGD12080	36.01 (3.35)	56 3/4" (1441)	91 3/8" (2321)	73.40 (6.82)	36.01 (3.35)	93.51 (8.69)
NLGD16080	51.24 (4.76)	80 3/4" (2051)	91 3/8" (2321)	102.28 (9.50)	51.24 (4.76)	125.34 (11.65)

\* Dimensions in parentheses are in millimeters or square meters.

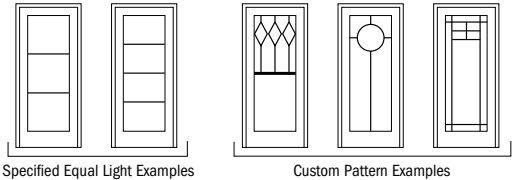
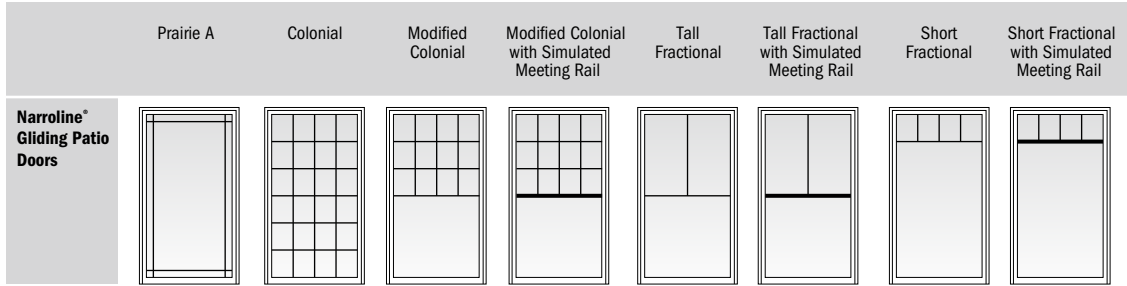
**Stationary Narrowline® Gliding Patio Door Area Specifications**

Door Number	Glass Area Sq. Ft./ (m <sup>2</sup> )	Overall Door Area Sq. Ft./ (m <sup>2</sup> )
NLGD2968	12.02 (1.12)	17.67 (1.64)
NLGD3368	14.96 (1.39)	20.98 (1.95)
NLGD4368	20.84 (1.94)	27.60 (2.56)
NLGD29611	12.51 (1.16)	18.31 (1.70)
NLGD33611	15.57 (1.45)	21.74 (2.02)
NLGD43611	21.69 (2.02)	28.60 (2.66)
NLGD2980	14.74 (1.37)	21.22 (1.97)
NLGD3380	18.35 (1.71)	25.20 (2.34)
NLGD4380	25.57 (2.34)	33.16 (3.08)

\* Dimensions in parentheses are in square meters.

# NARROLINE® GLIDING PATIO DOORS

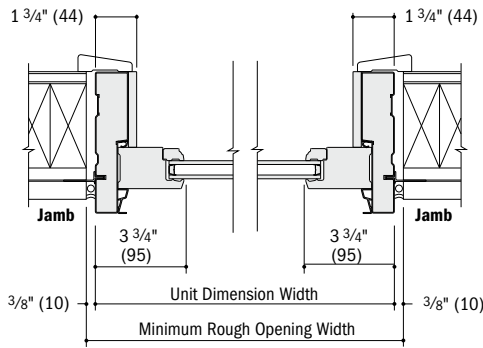
## Grille Patterns



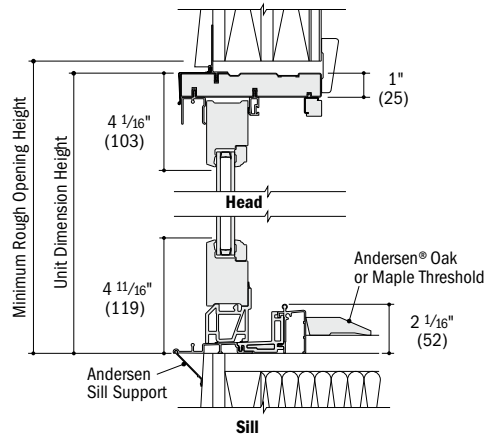
Number of lights and overall pattern varies with panel size.  
 Patterns are not available in all configurations. Specified equal light and custom patterns are also available. For more information on divided light, see page 9 or visit [andersenwindows.com/grilles](http://andersenwindows.com/grilles).

## Narroline® Gliding Patio Door Details

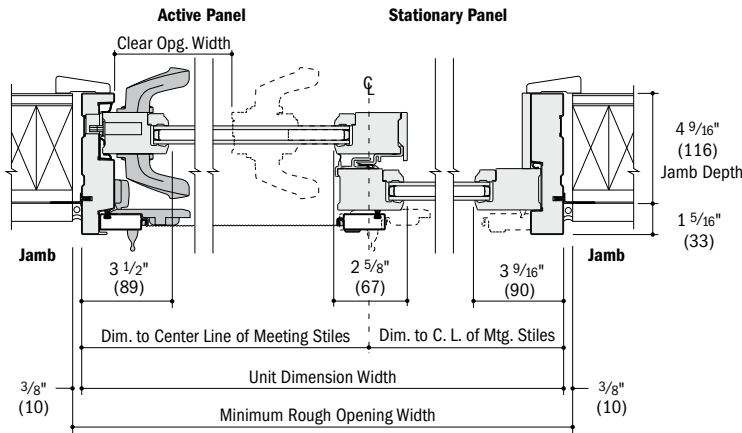
Scale 1 1/2" (38) = 1'-0" (305) – 1:8



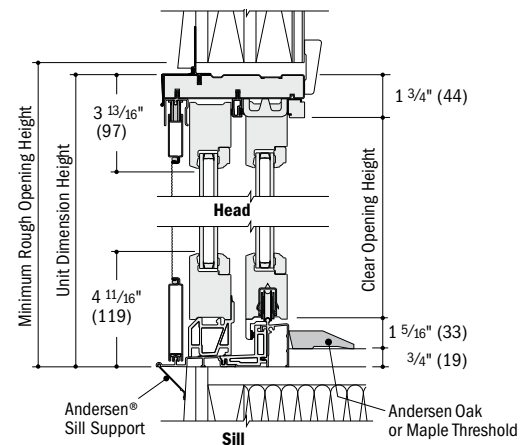
Horizontal Section Stationary



Vertical Section Stationary



Horizontal Section Two-Panel

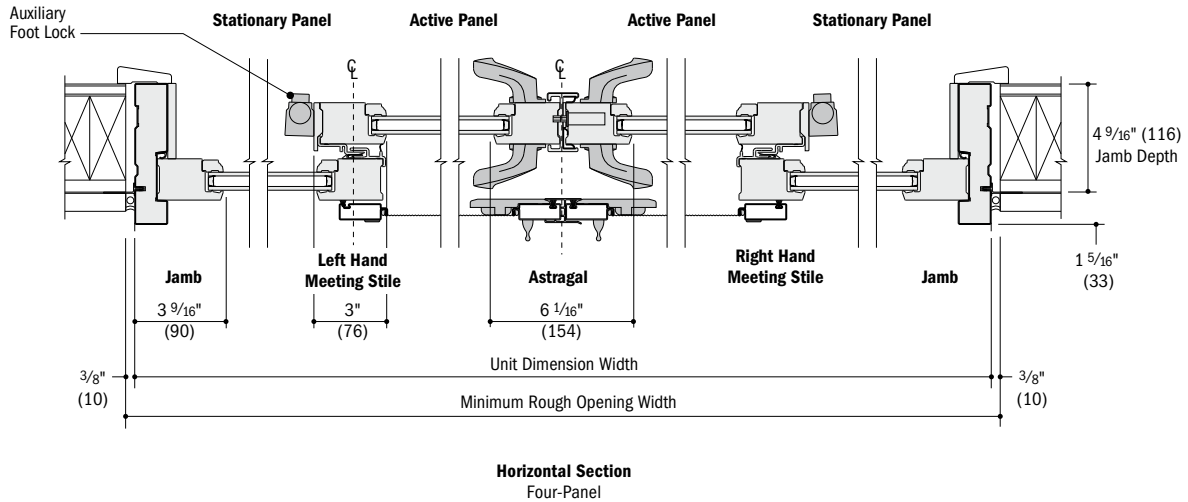


Vertical Section

- 4 9/16" (116) jamb depth measurement is from back side of installation flange.
- Light-colored areas are parts included with door. Dark-colored areas are additional Andersen® parts required to complete door assembly as shown.
- **Rough openings may need to be increased to allow for use of building wraps, flashing, sill panning, brackets, fasteners or other items. See installation information on pages 62-63.**
- Details are for illustration only and are not intended to represent product installation methods or materials. Refer to product installation guides at [andersenwindows.com](http://andersenwindows.com).
- Dimensions in parentheses are in millimeters.

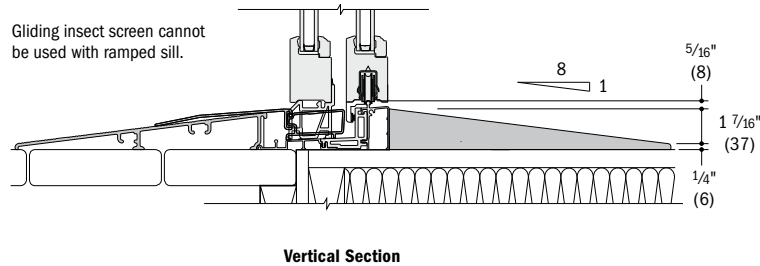
**Narroline® Gliding Patio Door Details**

Scale 1 1/2" (38) = 1'-0" (305) – 1:8



**Ramped Sill Detail**

Scale 1 1/2" (38) = 1'-0" (305) – 1:8

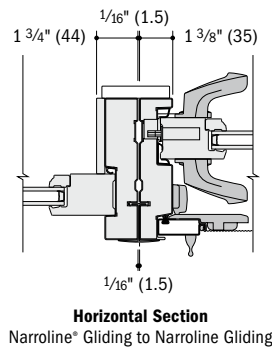


**Vertical Joining Detail**

Scale 1 1/2" (38) = 1'-0" (305) – 1:8

**Overall Door Dimension Width**  
Sum of individual door widths  
plus 1/16" (1.5) for each join.

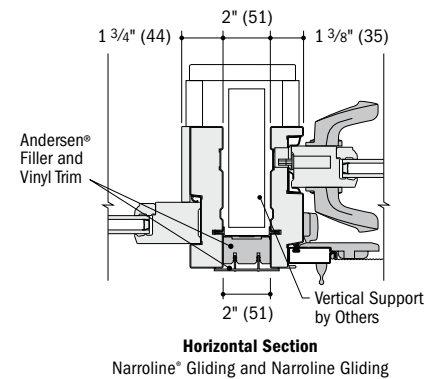
**Overall Rough Opening Width**  
Overall door width plus 3/4" (19).



**Separate Rough Openings Detail**

Scale 1 1/2" (38) = 1'-0" (305) – 1:8

To meet structural requirements or to achieve a wider joined appearance, doors may be installed into separate rough openings having vertical support (by others) in combination with Andersen® exterior filler and exterior vinyl trim.

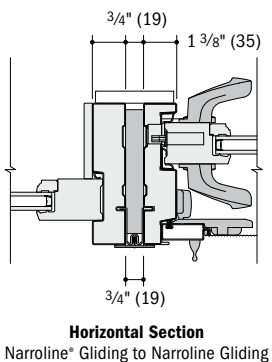


**Vertical Joining Detail – LVL**

Scale 1 1/2" (38) = 1'-0" (305) – 1:8

**Overall Door Dimension Width**  
Sum of individual door widths  
plus 3/4" (19) for each join.

**Overall Rough Opening Width**  
Overall door width plus 3/4" (19).

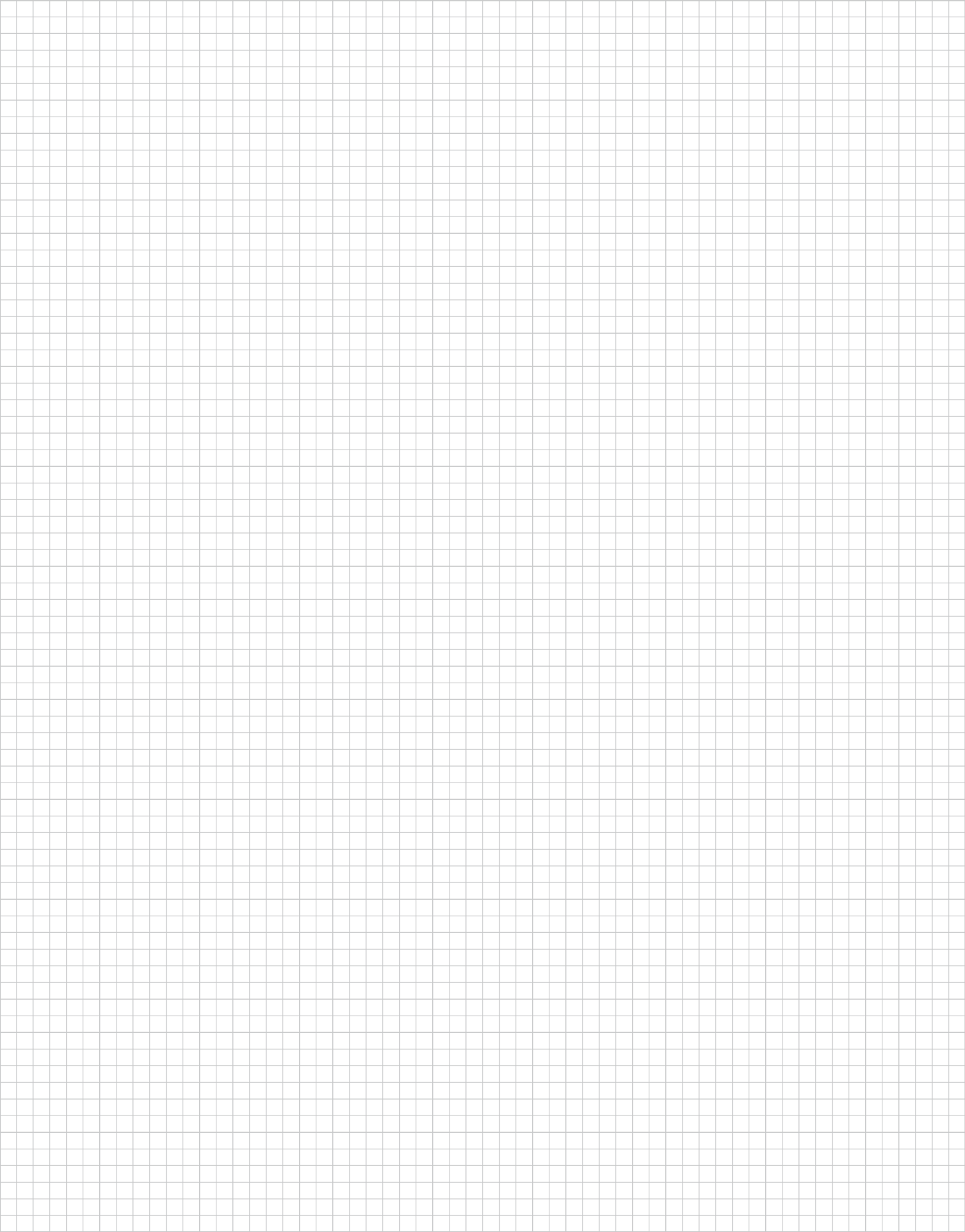


**Andersen does not recommend joining of receiver jamb to receiver jamb. For more joining information, see the combination designs section starting on page 51.**

- 4 9/16" (116) jamb depth measurement is from back side of installation flange.
- Light-colored areas are parts included with door. Dark-colored areas are additional Andersen® parts required to complete door assembly as shown.
- **Rough openings may need to be increased to allow for use of building wraps, flashing, sill panning, brackets, fasteners or other items. See installation information on pages 62-63.**
- Details are for illustration only and are not intended to represent product installation methods or materials. Refer to product installation guides at andersenwindows.com.
- Andersen recommends installation of doors into separate rough openings. Consult with an architect or structural engineer regarding minimum requirements for structural support members between adjacent rough openings.
- Dimensions in parentheses are in millimeters.

200 Series  
Narroline® Gliding  
Patio Doors

# NOTES





# PERMA-SHIELD® GLIDING PATIO DOORS

200 Series  
Perma-Shield® Gliding  
Patio Doors

## SECTION REFERENCE

Table of Sizes.....	34
Custom Sizes .....	34
Specifications .....	35
Grille Patterns .....	35
Door Details .....	35-36
Joining Details .....	36
Combination Designs .....	51
Performance Data.....	56

### CUSTOM SIZING

in 1/8" (3) increments



Dimensions in parentheses are in millimeters.



# PERMA-SHIELD® GLIDING PATIO DOORS

## FEATURES

### Frame

**A** The sill has an anodized aluminum track with a stainless steel cap that resists stains, rust and denting.\* A thermal barrier reduces conductive heat loss and limits condensation on the inside.

**B** All basic exterior frame members are covered with a rigid vinyl which maintains an attractive appearance while minimizing maintenance.

**C** Wood frame members are treated with a water-repellent preservative for long-lasting\*\* protection and performance.

Factory-assembled two-panel doors are available and arrive at the jobsite ready to install. Unassembled doors are also available and require jobsite assembly.

**D** A flexible vinyl weatherstrip on the head and side jambs provides a positive seal between the frame and panels.

### Panel

**E** All panel surfaces are covered with a rigid vinyl which maintains an attractive appearance while minimizing maintenance.

**F** Laminated veneer lumber panels provide excellent structural stability and energy efficiency.

Dual-rollers on door panels provide smooth gliding operation with self-contained leveling adjusters.

### Flexible Seal

A full-length combination weatherstrip/interlock system provides a flexible seal at the meeting stile.



### Glass

**G** A high-performing thermoplastic glazing bead features a flexible lip which provides superior weathertightness and long-term durability.

**H** Glass options include:

- Low-E tempered glass
- Low-E HeatLock® tempered glass
- Low-E Sun tempered glass
- Low-E SmartSun™ tempered glass
- Low-E SmartSun HeatLock tempered glass
- Dual-pane tempered glass

Additional glass options are available. Contact your Andersen supplier.

A removable translucent film helps shield the glass from damage during delivery and construction and simplifies finishing at the jobsite.

### Blinds-Between-the-Glass



Blinds-between-the-glass are available for select gliding patio door sizes when ordered with Low-E tempered glass. White ½" (13) aluminum slat blinds come mounted between two panes of insulated glass in a dust-free environment. Blinds are magnetically controlled and can be tilted or raised and lowered using low profile controls. Smooth, simple operation allows for customized light and privacy control. Available in 33611, 5068, 51168 and 61611 door sizes. For more information, contact your Andersen supplier.

## EXTERIOR & INTERIOR

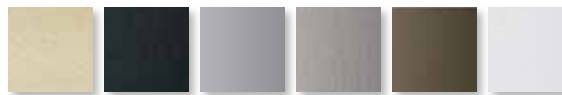


White Canvas Sandtone Terratone Dark Bronze Black

## HARDWARE FINISHES



Antique Brass Black Bright Brass Brushed Chrome Distressed Bronze Distressed Nickel



Gold Dust Oil Rubbed Bronze Polished Chrome Satin Nickel Stone White

Distressed bronze and oil rubbed bronze are "living" finishes that will change with time and use.

## GLIDING PATIO DOOR HARDWARE OPTIONS\*\*

Bold name denotes finish shown.



### YUMA®

Distressed Bronze  
**Distressed Nickel**

### ENCINO®

**Distressed Bronze**  
Distressed Nickel

### NEWBURY®

Antique Brass  
Bright Brass  
Brushed Chrome  
**Oil Rubbed Bronze**  
Polished Chrome  
Satin Nickel

### ANVERS®

Bright Brass  
Oil Rubbed Bronze  
**Satin Nickel**

### COVINGTON™

Antique Brass  
**Bright Brass**  
Oil Rubbed Bronze

### WHITMORE®

**Antique Brass**  
Bright Brass  
Oil Rubbed Bronze  
Satin Nickel

### ALBANY

Black  
**Gold Dust**  
Stone  
White

### TRIBECA®

Stone  
**White**

\* Visit andersenwindows.com/warranty for details.

\*\* Hardware sold separately.

Printing limitations prevent exact replication of colors and finishes. See your Andersen supplier for actual color and finish samples.

Tribeca and Albany hardware are zinc die cast with powder-coated durable finish. Other hardware is solid forged brass. Mix-and-match interior and exterior style and finish options are available. Bright brass and satin nickel finishes feature a 10-year limited warranty.

**Locking System**

**Reachout Locking Hardware**



The unique Andersen® reachout locking system pulls the door panel snugly into the jamb for weathertightness and enhanced security.



**Performance Grade (PG) Upgrade**

Select Perma-Shield® gliding patio doors sizes are available with PG upgrades. Heavy-duty rollers and reinforced frame and panel components allow standard glass units to achieve higher performance ratings. Performance Grade (PG) Ratings are more comprehensive than Design Pressure (DP) Ratings for measuring product performance. For more information, contact your Andersen supplier. For up-to-date performance information of individual products, visit [andersenwindows.com](http://andersenwindows.com).

Visit [andersenwindows.com/coastal](http://andersenwindows.com/coastal) for more information on Stormwatch Protection.

For more information about **glass, grilles and insect screens**, see pages 8-9.

For more information about **combination designs, product performance, installation instructions and accessories**, see pages 51-63 or visit [andersenwindows.com](http://andersenwindows.com).

**ACCESSORIES** Sold Separately

**Frame**

**Extension Jamb**

Standard jamb depth is 4 9/16" (116). Pine, oak or maple veneer or prefinished white interior extension jambs are available in 1/16" (1.5) increments between 5 1/16" (129) and 7 1/8" (181).

**Threshold**



An oak or maple threshold is available for finishing the interior of the sill.

**Ramped Sill Insert**



Ramped sills in oak or maple provide smooth transition from interior to exterior and can be used with a retractable insect screen, but not a gliding insect screen. Shown with a 400 Series Frenchwood® gliding patio door. Check with local and federal officials to determine if product meets accessibility codes.

**Sill Support**



An aluminum sill support is designed to lock into a channel under the sill and tie back into the wall. This will offer support to the outermost sill section when needed. Available in neutral gray finish.

**Hardware**

**Exterior Keyed Lock**



A six-pin key cylinder lock is available in styles and finishes that coordinate with hardware. This lock allows the gliding door to be locked and unlocked from the exterior.

**Auxiliary Foot Lock**



Provides an extra measure of security when the door is in a locked position. Lock can be set so the door is fully closed or partially open to provide a secure venting position. Available in all hardware finishes.

**Security Sensors**

**VeriLock® Sensors**

VeriLock sensors are available in five colors. See page 6 for details.

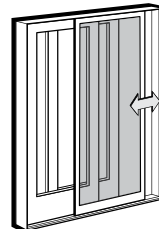
**Open/Closed Sensors**

Wireless open/closed sensors are available in four colors. See page 6 for details.

**Insect Screens**

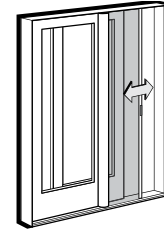
All insect screens have a long-lasting\* fiberglass screen mesh with a charcoal finish and are color-matched to the exterior of the door unless otherwise specified.

**Gliding Insect Screen**



Patented square corner joint construction adds considerable strength to the frame members. The insect screen is available for both two-panel doors and four-panel doors. Gliding insect screens have Delrin® injection-molded bottom rollers with self-contained leveling adjusters, providing smooth operation. Interior and exterior pulls and latch are provided.

**Retractable Insect Screen**



The retractable insect screen is installed on the exterior of the door and opens side to side across the width of the opening. When the insect screen is not in use, it neatly retracts into a small canister mounted on the exterior of the door. The retractable insect screen canister is available for two-panel patio doors in white, canvas, Sandtone, Terratone, dark bronze and black. Please note, retractable insect screen track reduces clear opening height by 1" (25).

**Grilles**

Grilles are available in a variety of configurations and widths. For grille patterns, see page 35.

**Sidelights**

Stationary units can also be selected for use as sidelights. See size table on page 34 for size options.

**Exterior Trim**

This product is available with Andersen exterior trim. See pages 45-50 for details.

**CAUTION:**

- Painting and staining may cause damage to rigid vinyl and is not recommended.
- Andersen does not warrant the adhesion or performance of homeowner-applied paint over vinyl or other factory-coated surfaces.
- Do not paint weatherstrip.
- Creosote-based stains should not come in contact with Andersen products.
- Abrasive cleaners or solutions containing corrosive solvents should not be used on Andersen products.

\*Visit [andersenwindows.com/warranty](http://andersenwindows.com/warranty) for details.

Andersen patio doors are not intended for use as entrance doors.

Dimensions in parentheses are in millimeters.

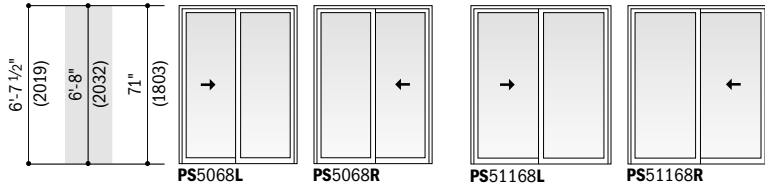
"Delrin" is a registered trademark of E.I. du Pont de Nemours and Company.

# PERMA-SHIELD® GLIDING PATIO DOORS

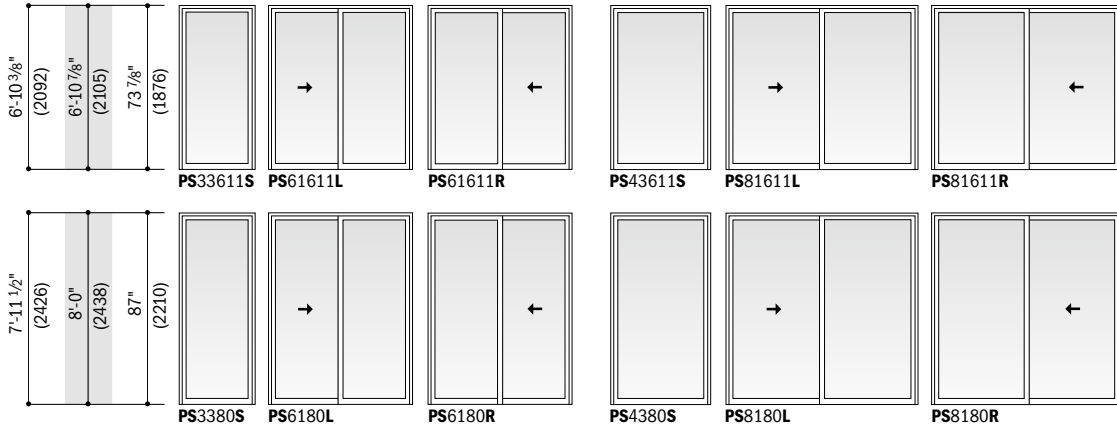
**Table of Perma-Shield® Gliding Patio Door Sizes**

Scale 1/8" = 1'-0" (1:96)

Door Dimension	4'-11 1/4" (1505)	4'-11 1/4" (1505)	5'-10 1/2" (1791)	5'-10 1/2" (1791)
<b>Minimum Rough Opening</b>	5'-0" (1524)	5'-0" (1524)	5'-11 1/4" (1810)	5'-11 1/4" (1810)
Unobstructed Glass (single panel only)	24 3/4" (629)	24 3/4" (629)	30 3/8" (772)	30 3/8" (772)



Door Dimension	3'-2 3/8" (975)	6'-0" (1829)	6'-0" (1829)	4'-2 3/8" (1280)	8'-0" (2438)	8'-0" (2438)
<b>Minimum Rough Opening</b>	3'-3 1/8" (994)	6'-0 3/4" (1848)	6'-0 3/4" (1848)	4'-3 1/8" (1299)	8'-0 3/4" (2457)	8'-0 3/4" (2457)
Unobstructed Glass (single panel only)	31 1/8" (791)	31 1/8" (791)	31 1/8" (791)	43 1/8" (1095)	43 1/8" (1095)	43 1/8" (1095)

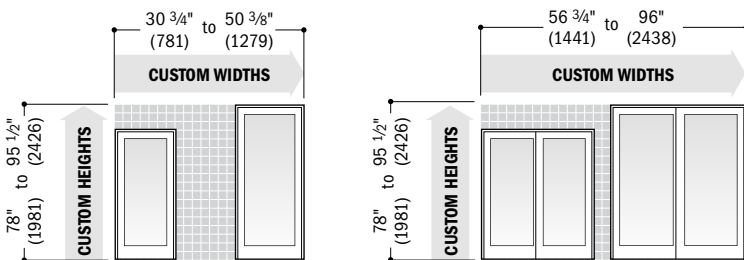


Custom-size doors are available in 1/8" (3) increments. See below for custom sizes and specifications.

Viewed from the exterior. Arrow indicates direction of panel operation. Stationary (S) doors can be used as an individual unit or as a sidelight. Grille patterns shown on page 35.

- "Door Dimension" always refers to outside frame to frame dimension.
- "Minimum Rough Opening" dimensions may need to be increased to allow for use of building wraps, flashing, sill panning, brackets, fasteners or other items. See pages 62-63 for more details.
- Dimensions in parentheses are in millimeters.
- For doors with blinds between the glass, unobstructed glass width dimension is reduced.

## Custom Sizes and Specification Formulas



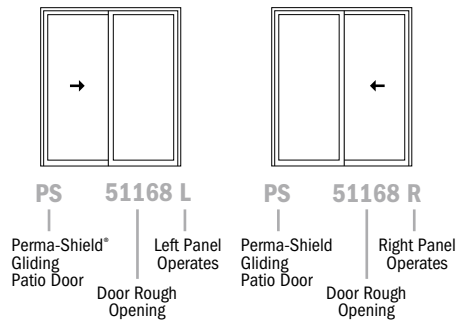
Available in 1/8" (3) increments between minimum and maximum widths and heights shown. Some restrictions apply. Measurement guide can be found at [andersenwindows.com/measure](http://andersenwindows.com/measure).

<b>Clear Opening</b> 	<b>Two-Panel</b> Width = (width + 2) - 7.5" (191) Height = height - 4.155" (106)	<b>Minimum R.O.</b> 	Width = width + 3/4" (19) Height = height + 1/2" (13)	<b>Unobstr. Glass</b> 	<b>Single-Panel</b> Width = width - 7.25" (184) Height = height - 8.562" (217)
	<b>Two-Panel</b> Width = width - 9.75" (248) Height = height - 8.562" (217)		Width = width - 7.25" (184) Height = height - 8.562" (217)		

- Dimensions in parentheses are in millimeters.
- **Clear Opening** formulas provide dimensions for determining area available for egress. Vent opening, or area available for passage of air, is equal to clear opening. **Minimum R.O.** (minimum rough opening) formulas provide minimum rough opening width and height dimensions. **Unobstr. Glass** (unobstructed glass) formulas provide dimensions for determining area available for passage of light.

### Order Designation Description

Viewed from the exterior.



### Two-Panel Perma-Shield® Gliding Patio Door Opening and Area Specifications

Door Number	Clear Opening Area Sq. Ft./ (m <sup>2</sup> )	Clear Opening in Full Open Position		Glass Area Sq. Ft./ (m <sup>2</sup> )	Vent Area Sq. Ft./ (m <sup>2</sup> )	Overall Door Area Sq. Ft./ (m <sup>2</sup> )
		Width Inches/(mm)	Height Inches/(mm)			
PS5068	11.64 (1.08)	22 1/8" (562)	75 3/4" (1924)	24.90 (2.31)	11.64 (1.08)	32.71 (3.04)
PS51168	14.60 (1.36)	27 3/4" (705)	75 3/4" (1924)	30.40 (2.82)	14.60 (1.36)	38.92 (3.62)
PS61611	15.56 (1.45)	28 1/2" (724)	78 5/8" (1997)	32.40 (3.01)	15.56 (1.45)	41.19 (3.83)
PS81611	22.11 (2.05)	40 1/2" (1029)	78 5/8" (1997)	44.20 (4.11)	22.11 (2.05)	54.92 (5.10)
PS6180	18.16 (1.69)	28 1/2" (724)	91 3/4" (2330)	37.60 (3.49)	18.16 (1.69)	47.75 (4.44)
PS8180	25.80 (2.40)	40 1/2" (1029)	91 3/4" (2330)	52.10 (4.84)	25.80 (2.40)	63.67 (5.92)

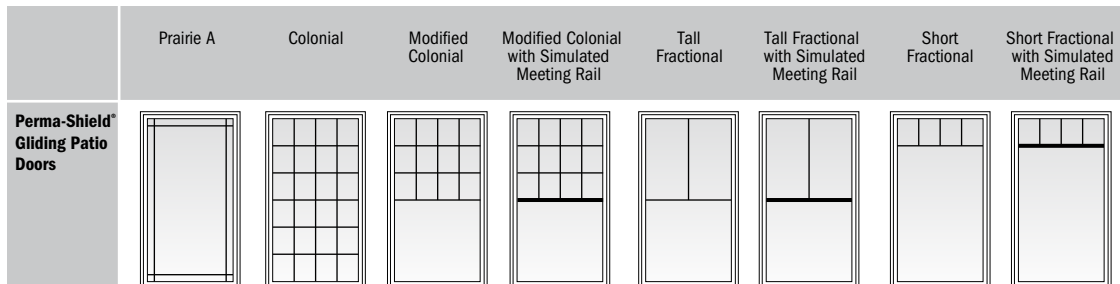
\*Dimensions in parentheses are in millimeters or square meters.

### Stationary Perma-Shield® Gliding Patio Door Area Specifications

Door Number	Glass Area Sq. Ft./ (m <sup>2</sup> )	Overall Door Area Sq. Ft./ (m <sup>2</sup> )
PS33611	16.00 (1.49)	21.95 (2.04)
PS43611	22.10 (2.05)	28.82 (2.68)

\*Dimensions in parentheses are in square meters.

### Grille Patterns



Number of lights and overall pattern varies with panel size.

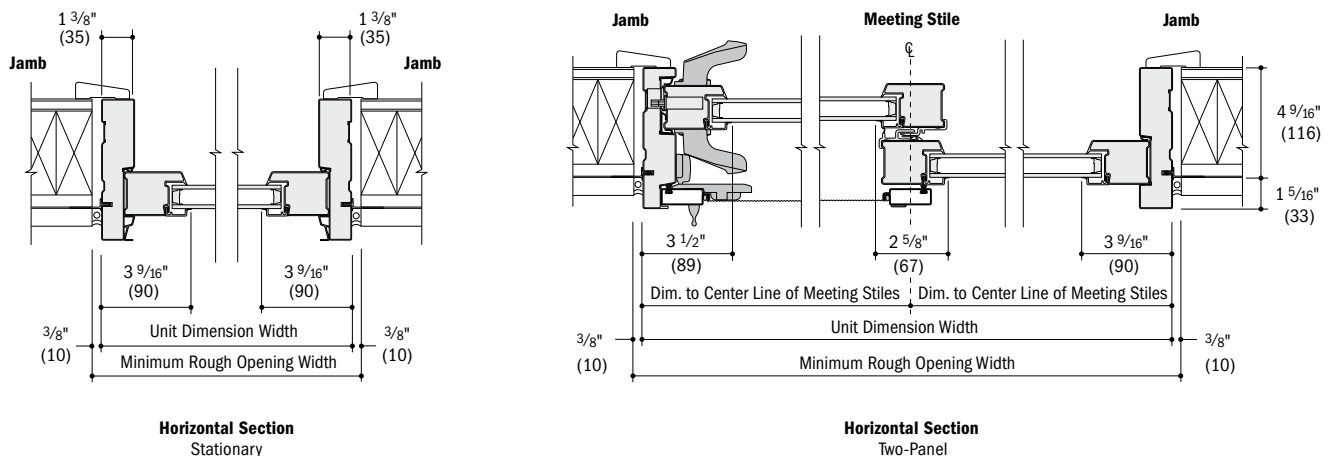
Patterns are not available in all configurations. Specified equal light and custom patterns are also available, see page 28.

For more information on divided light, see page 9 or visit

[andersenwindows.com/grilles](http://andersenwindows.com/grilles).

### Perma-Shield® Gliding Patio Door Details

Scale 1 1/2" (38) = 1'-0" (305) – 1:8

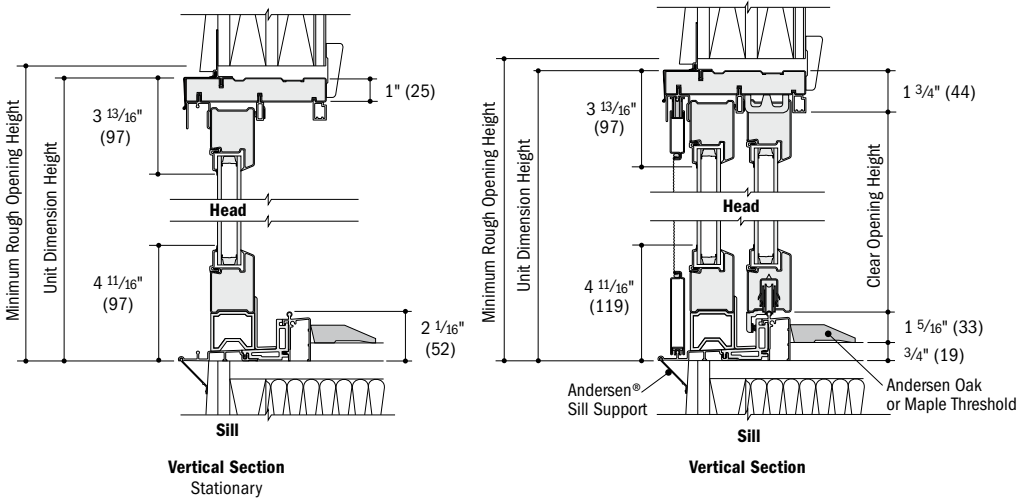


- \*Light-colored areas are parts included with window. Dark-colored areas are additional Andersen® parts required to complete window assembly as shown.
- \*Rough openings may need to be increased to allow for use of building wraps, flashing, sill panning, brackets, fasteners or other items. See installation information on pages 62-63.
- \*Details are for illustration only and are not intended to represent product installation methods or materials. Refer to product installation guides at [andersenwindows.com](http://andersenwindows.com).
- \*Dimensions in parentheses are in millimeters.

# PERMA-SHIELD® GLIDING PATIO DOORS

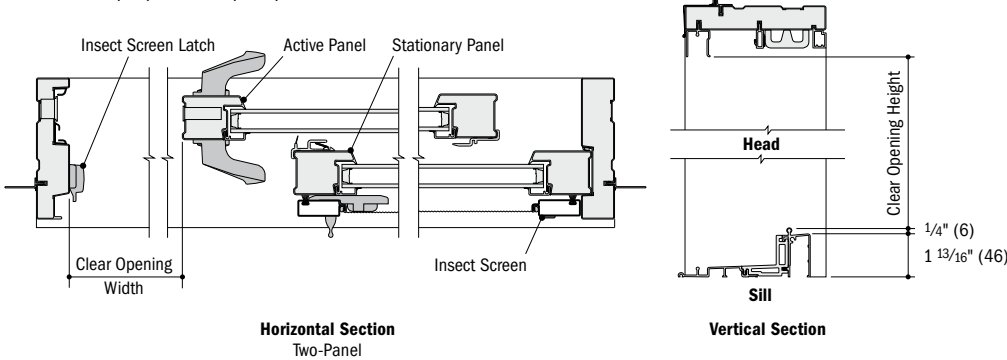
## Perma-Shield® Gliding Patio Door Details

Scale 1 1/2" (38) = 1'-0" (305) – 1:8



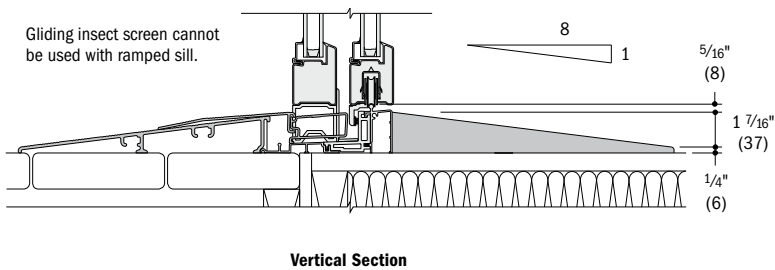
## Clear Opening Details

Scale 1 1/2" (38) = 1'-0" (305) – 1:8



## Ramped Sill Detail

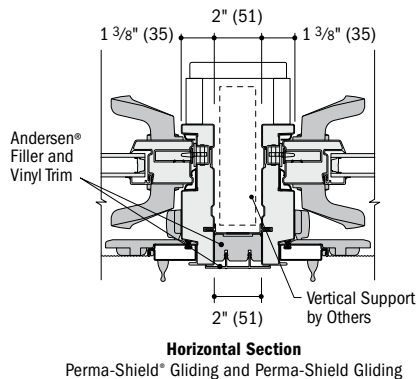
Scale 1 1/2" (38) = 1'-0" (305) – 1:8



## Separate Rough Openings Detail

Scale 1 1/2" (38) = 1'-0" (305) – 1:8

To meet structural requirements or to achieve a wider joined appearance, doors may be installed into separate rough openings having vertical support (by others) in combination with Andersen® exterior filler and exterior vinyl trim.



## Vertical Joining Detail

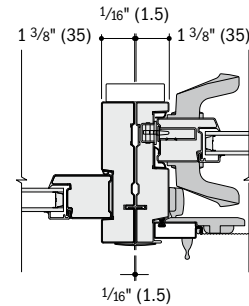
Scale 1 1/2" (38) = 1'-0" (305) – 1:8

### Overall Door Dimension Width

Sum of individual door widths plus 1/16" (1.5) for each join.

### Overall Rough Opening Width

Overall door width plus 3/4" (19).



### Horizontal Section

Perma-Shield® Gliding to Perma-Shield Gliding

## Vertical Joining Detail - LVL

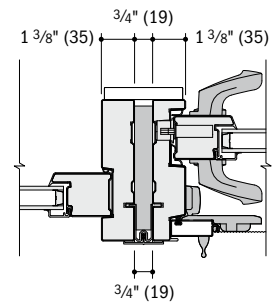
Scale 1 1/2" (38) = 1'-0" (305) – 1:8

### Overall Door Dimension Width

Sum of individual door widths plus 3/4" (19) for each join.

### Overall Rough Opening Width

Overall door width plus 3/4" (19).



### Horizontal Section

Perma-Shield® Gliding to Perma-Shield Gliding

**Andersen does not recommend joining of receiver jamb to receiver jamb. For more joining information, see the combination designs section starting on page 51.**

- Light-colored areas are parts included with door. Dark-colored areas are additional Andersen® parts required to complete door assembly as shown.
- Rough openings may need to be increased to allow for use of building wraps, flashing, sill panning, brackets, fasteners or other items. See installation information on pages 62-63.
- Details are for illustration only and are not intended to represent product installation methods or materials. Refer to product installation guides at andersenwindows.com.
- Andersen recommends installation of doors into separate rough openings. Consult with an architect or structural engineer regarding minimum requirements for structural support members between adjacent rough openings.
- Dimensions in parentheses are in millimeters.

# HINGED INSWING PATIO DOORS



200 Series  
Hinged Inswing  
Patio Doors

## SECTION REFERENCE

Tables of Sizes .....	40-41
Specifications .....	42
Grille Patterns .....	43
Door Details .....	43-44
Joining Detail .....	44
Combination Designs .....	51
Performance Data.....	56

# HINGED INSWING PATIO DOORS

## FEATURES

### Frame

- A** A unique anodized aluminum sill design controls water and helps funnel it away from the door to minimize water infiltration. Also available with optional bronze anodized sill.
- B** Exterior frame is clad with aluminum, which maintains an attractive appearance while minimizing maintenance. Frame is predrilled for convenient installation. Specially designed plugs cover the installation screws for a clean appearance.
- C** A preservative-treated wood subframe with a frame end protector at the sill resists rot and provides long-lasting\* protection and performance.
- D** Durable Santoprene® weatherstrip on the frame provides effective protection against water and air infiltration.
- E** Unique sweep/sill interface completes the perimeter protection and allows for easier operation of the door and limits weatherstrip friction between the sweep and sill.

### Panel

- F** Durable low-maintenance interior and exterior resist weather and rot. Sturdy fiberglass construction provides long-lasting\* performance. Insulated bottom rail enhances energy efficiency.
- G** Traditional French door styling features a tall bottom rail and wide stiles. Panel is built to tolerances within 1/32" (1) for smooth operation and maximum durability.
- H** Unique corner keys in the panel allow for tight, attractive corners.



### Effective Weatherstrip



Durable rubberized Santoprene® gasket-type weatherstrip is applied to the frame (sides and head jamb) and engages when the door panel is closed. The panel has a sweep system at the sill that completes the perimeter protection.

### Adjustable Hinges

Adjustable hinges help provide a weathertight seal and smooth operation. Available in antique brass, bright brass, satin nickel, oil rubbed bronze and white.



### Glass

- I** Panels are silicone bed glazed for maximum weather resistance.
- J** Glass options include:
  - Low-E tempered glass
  - Low-E HeatLock® tempered glass
  - Low-E Sun tempered glass
  - Low-E SmartSun™ tempered glass
  - Low-E SmartSun HeatLock tempered glass
  - Dual-pane tempered glass

Additional glass options are available. Contact your Andersen supplier.

A removable translucent film helps shield the glass from damage during delivery and construction and simplifies finishing at the jobsite.

### Locking System

#### Hook Deadbolt



Hook deadbolt lock comes pre-installed, reducing installation time. The mortised lock and hook design provides strength and added security compared to bored locks with standard deadbolts. Multi-point locks are standard on 7'-6" (2286) and 8'-0" (2438) height doors. Multi-point locks can be ordered for 6'-8" (2032) and 6'-11" (2108) doors as an option. Contact your Andersen supplier for availability.

## EXTERIOR



## INTERIOR



## HARDWARE FINISHES



Distressed bronze and oil rubbed bronze are "living" finishes that will change with time and use.

## HINGED PATIO DOOR HARDWARE OPTIONS\*\* Bold name denotes finish shown.

							
<b>YUMA®</b> Distressed Bronze <b>Distressed Nickel</b>	<b>ENCINO®</b> <b>Distressed Bronze</b> Distressed Nickel	<b>NEWBURY®</b> Antique Brass Bright Brass Brushed Chrome <b>Oil Rubbed Bronze</b> Polished Chrome Satin Nickel	<b>ANVERS®</b> Bright Brass Oil Rubbed Bronze <b>Satin Nickel</b>	<b>COVINGTON™</b> Antique Brass <b>Bright Brass</b> Oil Rubbed Bronze	<b>WHITMORE®</b> <b>Antique Brass</b> Bright Brass Oil Rubbed Bronze Satin Nickel	<b>ALBANY</b> Black <b>Gold Dust</b> Stone White	<b>TRIBECA®</b> Stone <b>White</b>

\* Visit [andersenwindows.com/warranty](http://andersenwindows.com/warranty) for details.

\*\* Hardware sold separately.

"Santoprene" is a registered trademark of Advanced Elastomer Systems, L.P.

Printing limitations prevent exact replication of colors and finishes. See your Andersen supplier for actual color and finish samples.

Tribeca and Albany hardware are zinc die cast with powder-coated durable finish. Other hardware is solid forged brass. Mix-and-match interior and exterior style and finish options are available. Bright brass and satin nickel finishes feature a 10-year limited warranty. Dimensions in parentheses are in millimeters.



### Jamb Depth

Choose either a 6 9/16" (167) or 4 9/16" (116) jamb depth. Also available with accessible door.



6 9/16" (167) Jamb Depth



4 9/16" (116) Jamb Depth

### Sill

For an optional look, a bronze anodized sill is also available.

### Accessible Door



Andersen offers a single-panel accessible door that is 3'-2 1/8" (968) wide and includes a low-threshold sill [1/2" (51) high]. Bottom rail height is 10 1/4" (260). Available in bronze anodized finish only. Low threshold sill is not available for other door widths.

For more information about **glass, grilles and insect screens**, see pages 8-9.

For more information about **combination designs, product performance, installation instructions and accessories**, see pages 51-63 or visit [andersenwindows.com](http://andersenwindows.com).

## ACCESSORIES Sold Separately

### Frame

#### Extension Jamb

Standard jamb depth is 4 9/16" (116). A 6 9/16" (167) jamb depth is also available. Prefinished white interior extension jambs available in 1/16" (1.5) increments between 5 1/16" (129) and 7 1/8" (181). Interior extension jambs on inswing units will restrict the full opening of the door. These extension jambs can also be added to 6 9/16" (167) jambs.

### Hardware

#### Exterior Keyed Lock



A six-pin key cylinder lock is available in styles and finishes that coordinate with hardware. This lock allows the hinged patio door to be locked and unlocked from the exterior.

#### Handle Extension



Extends interior door handle an additional 1" (25) from the door panel to accommodate interior blinds or shades. Kit includes one handle extender and spindle. A second extender may be added to the spindle to increase the length an additional 1" (25) to a 2" (51) total extension. Extenders are available in finishes that coordinate with hardware.

#### Strike Plate Extensions

Bright brass, antique brass, polished chrome, oil rubbed bronze, brushed chrome and satin nickel strike plate extensions are available for the following wall thicknesses: 5 1/4" (133), 6 9/16" (167) and 7 1/8" (181).

### Construction Lock



This hardware can be used on all Andersen® hinged doors to help secure the jobsite during the construction phase of the project. It features an undersized escutcheon plate, which makes on-site finishing easier. Shown on a 400 Series Frenchwood® hinged patio door.

### Security Sensors

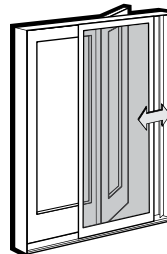
#### Open/Closed Sensors

Wireless open/closed sensors are available in four colors. See page 6 for details.

### Insect Screens

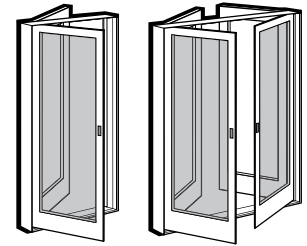
All insect screens have a long-lasting\* fiberglass screen mesh with a charcoal finish and are color-matched to the exterior of the door unless otherwise specified.

### Gliding Insect Screen



Available for two-panel active-stationary doors. Features Delrin® material injection molded bottom rollers with self-contained leveling adjusters.

### Hinged Insect Screens



Available for single-panel hinged doors and two-panel active-passive doors.

### Grilles

Grilles are available in a variety of configurations and widths. For grille patterns, see page 43.

### Exterior Trim

This product is available with Andersen exterior trim. See pages 45-50 for details.

#### CAUTION:

- Painting and staining may cause damage to rigid vinyl and is not recommended.
- Andersen does not warrant the adhesion or performance of homeowner-applied paint over vinyl or other factory-coated surfaces.
- Do not paint weatherstrip.
- Creosote-based stains should not come in contact with Andersen products.
- Abrasive cleaners or solutions containing corrosive solvents should not be used on Andersen products.


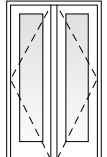
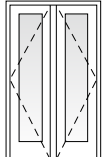



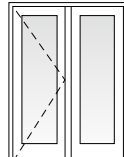
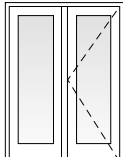
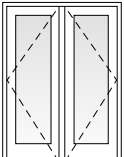
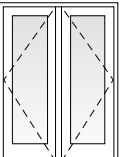



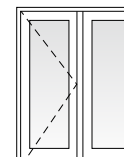
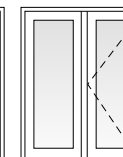
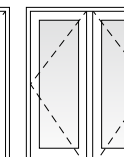
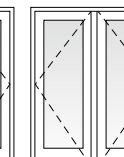

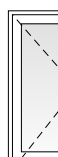

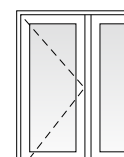
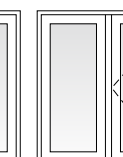
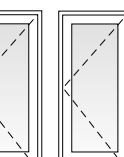
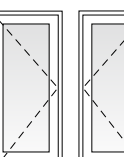
\*Visit [andersenwindows.com/warranty](http://andersenwindows.com/warranty) for details. Andersen patio doors are not intended for use as entrance doors. Dimensions in parentheses are in millimeters.

†Delrin® is a registered trademark of E. I. du Pont de Nemours and Company.

# HINGED INSWING PATIO DOORS

**Table of Hinged Inswing Patio Door Sizes**

Scale 1/8" = 1'-0" (1:96)

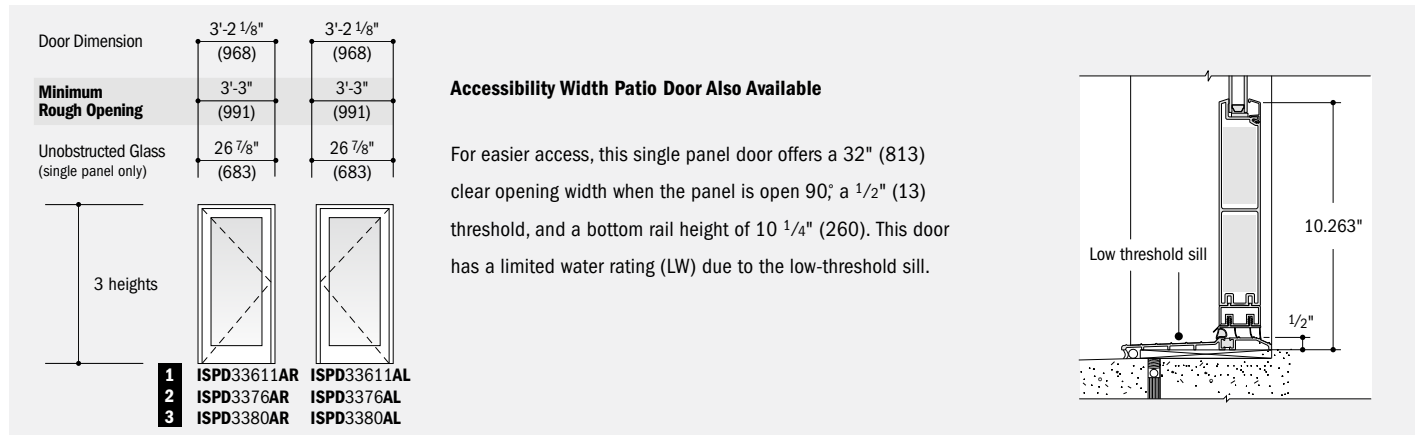
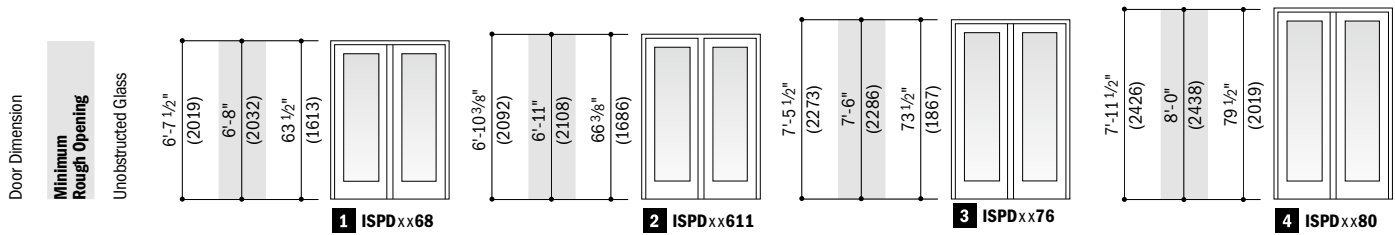
Door Dimension	2'-0 1/2" (620)		4'-0" (1219)		4'-0" (1219)		
<b>Minimum Rough Opening</b>	2'-1" (634)		4'-1" (1242)		4'-1" (1242)		
Unobstructed Glass (single panel only)	13 1/4" (336)		13 1/4" (336)		13 1/4" (336)		
4 heights	 <ol style="list-style-type: none"> <li>1 ISPD2168S</li> <li>2 ISPD21611S</li> <li>3 ISPD2176S</li> <li>4 ISPD2180S</li> </ol>		 <ol style="list-style-type: none"> <li>1 ISPD4168APLR</li> <li>2 ISPD41611APLR</li> <li>3 ISPD4176APLR</li> <li>4 ISPD4180APLR</li> </ol>		 <ol style="list-style-type: none"> <li>1 ISPD4168PALR</li> <li>2 ISPD41611PALR</li> <li>3 ISPD4176PALR</li> <li>4 ISPD4180PALR</li> </ol>		
Door Dimension	2'-6 1/8" (765)	2'-6 1/8" (765)	2'-6 1/8" (765)	4'-11 1/4" (1504)	4'-11 1/4" (1504)	4'-11 1/4" (1504)	4'-11 1/4" (1504)
<b>Minimum Rough Opening</b>	2'-7" (787)	2'-7" (787)	2'-7" (787)	5'-0" (1524)	5'-0" (1524)	5'-0" (1524)	5'-0" (1524)
Unobstructed Glass (single panel only)	18 7/8" (479)	18 7/8" (479)	18 7/8" (479)	18 7/8" (479)	18 7/8" (479)	18 7/8" (479)	18 7/8" (479)
4 heights	 <ol style="list-style-type: none"> <li>1 ISPD2768S</li> <li>2 ISPD27611S</li> <li>3 ISPD2776S</li> <li>4 ISPD2780S</li> </ol>	 <ol style="list-style-type: none"> <li>1 ISPD2768AR</li> <li>2 ISPD27611AR</li> <li>3 ISPD2776AR</li> <li>4 ISPD2780AR</li> </ol>	 <ol style="list-style-type: none"> <li>1 ISPD2768AL</li> <li>2 ISPD27611AL</li> <li>3 ISPD2776AL</li> <li>4 ISPD2780AL</li> </ol>	 <ol style="list-style-type: none"> <li>1 ISPD5068ASR</li> <li>2 ISPD50611ASR</li> <li>3 ISPD5076ASR</li> <li>4 ISPD5080ASR</li> </ol>	 <ol style="list-style-type: none"> <li>1 ISPD5068SAL</li> <li>2 ISPD50611SAL</li> <li>3 ISPD5076SAL</li> <li>4 ISPD5080SAL</li> </ol>	 <ol style="list-style-type: none"> <li>1 ISPD5068APLR</li> <li>2 ISPD50611APLR</li> <li>3 ISPD5076APLR</li> <li>4 ISPD5080APLR</li> </ol>	 <ol style="list-style-type: none"> <li>1 ISPD5068PALR</li> <li>2 ISPD50611PALR</li> <li>3 ISPD5076PALR</li> <li>4 ISPD5080PALR</li> </ol>
Door Dimension	2'-8 1/8" (816)	2'-8 1/8" (816)	2'-8 1/8" (816)	5'-3 1/4" (1607)	5'-3 1/4" (1607)	5'-3 1/4" (1607)	5'-3 1/4" (1607)
<b>Minimum Rough Opening</b>	2'-9" (838)	2'-9" (838)	2'-9" (838)	5'-4" (1626)	5'-4" (1626)	5'-4" (1626)	5'-4" (1626)
Unobstructed Glass (single panel only)	20 7/8" (530)	20 7/8" (530)	20 7/8" (530)	20 7/8" (530)	20 7/8" (530)	20 7/8" (530)	20 7/8" (530)
4 heights	 <ol style="list-style-type: none"> <li>1 ISPD2968S</li> <li>2 ISPD29611S</li> <li>3 ISPD2976S</li> <li>4 ISPD2980S</li> </ol>	 <ol style="list-style-type: none"> <li>1 ISPD2968AR</li> <li>2 ISPD29611AR</li> <li>3 ISPD2976AR</li> <li>4 ISPD2980AR</li> </ol>	 <ol style="list-style-type: none"> <li>1 ISPD2968AL</li> <li>2 ISPD29611AL</li> <li>3 ISPD2976AL</li> <li>4 ISPD2980AL</li> </ol>	 <ol style="list-style-type: none"> <li>1 ISPD5468ASR</li> <li>2 ISPD54611ASR</li> <li>3 ISPD5476ASR</li> <li>4 ISPD5480ASR</li> </ol>	 <ol style="list-style-type: none"> <li>1 ISPD5468SAL</li> <li>2 ISPD54611SAL</li> <li>3 ISPD5476SAL</li> <li>4 ISPD5480SAL</li> </ol>	 <ol style="list-style-type: none"> <li>1 ISPD5468APLR</li> <li>2 ISPD54611APLR</li> <li>3 ISPD5476APLR</li> <li>4 ISPD5480APLR</li> </ol>	 <ol style="list-style-type: none"> <li>1 ISPD5468PALR</li> <li>2 ISPD54611PALR</li> <li>3 ISPD5476PALR</li> <li>4 ISPD5480PALR</li> </ol>
Door Dimension	3'-0 1/8" (918)	3'-0 1/8" (918)	3'-0 1/8" (918)	5'-11 1/4" (1810)	5'-11 1/4" (1810)	5'-11 1/4" (1810)	5'-11 1/4" (1810)
<b>Minimum Rough Opening</b>	3'-1" (940)	3'-1" (940)	3'-1" (940)	6'-0" (1829)	6'-0" (1829)	6'-0" (1829)	6'-0" (1829)
Unobstructed Glass (single panel only)	24 7/8" (632)	24 7/8" (632)	24 7/8" (632)	24 7/8" (632)	24 7/8" (632)	24 7/8" (632)	24 7/8" (632)
4 heights	 <ol style="list-style-type: none"> <li>1 ISPD3168S</li> <li>2 ISPD31611S</li> <li>3 ISPD3176S</li> <li>4 ISPD3180S</li> </ol>	 <ol style="list-style-type: none"> <li>1 ISPD3168AR</li> <li>2 ISPD31611AR</li> <li>3 ISPD3176AR</li> <li>4 ISPD3180AR</li> </ol>	 <ol style="list-style-type: none"> <li>1 ISPD3168AL</li> <li>2 ISPD31611AL</li> <li>3 ISPD3176AL</li> <li>4 ISPD3180AL</li> </ol>	 <ol style="list-style-type: none"> <li>1 ISPD6068ASR</li> <li>2 ISPD60611ASR</li> <li>3 ISPD6076ASR</li> <li>4 ISPD6080ASR</li> </ol>	 <ol style="list-style-type: none"> <li>1 ISPD6068SAL</li> <li>2 ISPD60611SAL</li> <li>3 ISPD6076SAL</li> <li>4 ISPD6080SAL</li> </ol>	 <ol style="list-style-type: none"> <li>1 ISPD6068APLR</li> <li>2 ISPD60611APLR</li> <li>3 ISPD6076APLR</li> <li>4 ISPD6080APLR</li> </ol>	 <ol style="list-style-type: none"> <li>1 ISPD6068PALR</li> <li>2 ISPD60611PALR</li> <li>3 ISPD6076PALR</li> <li>4 ISPD6080PALR</li> </ol>

Stationary (S) doors can be used as an individual unit or as a sidelight.

Grille patterns shown on page 43.

• "Door Dimension" always refers to outside frame to frame dimension.  
 • "Minimum Rough Opening" dimensions may need to be increased to allow for use of building wraps, flashing, sill panning, brackets, fasteners or other items. See pages 62-63 for more details.  
 • Dimensions in parentheses are in millimeters.

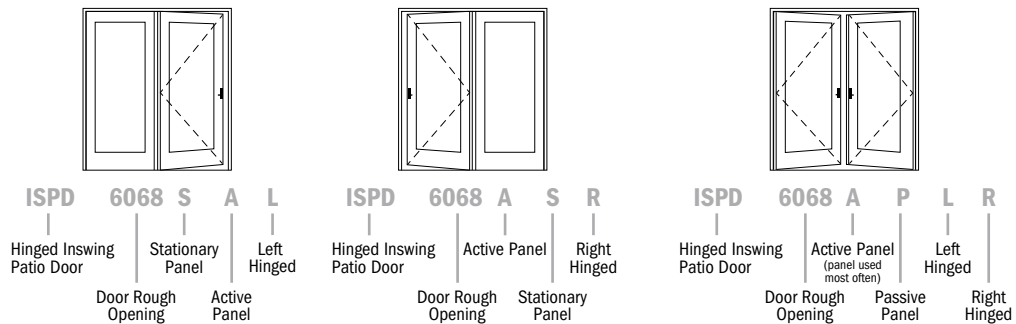
**Four Patio Door Heights**



• "Door Dimension" always refers to outside frame to frame dimension.  
 • "Minimum Rough Opening" dimensions may need to be increased to allow for use of building wraps, flashing, sill panning, brackets, fasteners or other items. See pages 62-63 for more details.  
 • Dimensions in parentheses are in millimeters.

**Order Designation Description**

Viewed from the exterior.



200 Series  
Hinged Inswing  
Patio Doors

# HINGED INSWING PATIO DOORS

## Hinged Inswing Patio Door Opening and Area Specifications

Door Number	Number of Panels in Open Position*	Clear Opening Area Sq. Ft./ (m <sup>2</sup> )		Clear Opening Maximums			Glass Area Sq. Ft./ (m <sup>2</sup> )	Vent Area Sq. Ft./ (m <sup>2</sup> )	Overall Door Area Sq. Ft./ (m <sup>2</sup> )
				90° Open Position Width Inches/(mm)	Full Open Position Width Inches/(mm)	Height Inches/(mm)			
ISPD2768	1	13.52 (1.26)	25 3/8" (644)	27 9/16" (701)	76 3/4" (1949)	8.32 (0.77)	13.52 (1.26)	16.61 (1.54)	
ISPD2968	1	14.58 (1.36)	27 3/8" (695)	29 9/16" (752)	76 3/4" (1949)	9.20 (0.85)	14.58 (1.36)	17.72 (1.65)	
ISPD3168	1	16.71 (1.55)	31 3/8" (797)	33 9/16" (853)	76 3/4" (1949)	10.96 (1.02)	16.71 (1.55)	19.93 (1.85)	
ISPD4168	2	21.87 (2.03)	41" (1042)	45 1/2" (1156)	76 3/4" (1949)	11.67 (1.08)	21.87 (2.03)	26.50 (2.46)	
ISPD4168	1	10.52 (0.98)	19 3/4" (501)	21 15/16" (558)	76 3/4" (1949)	11.67 (1.08)	10.52 (0.98)	26.50 (2.46)	
ISPD5068	2	27.87 (2.59)	52 1/4" (1328)	56 3/4" (1441)	76 3/4" (1949)	16.63 (1.55)	27.87 (2.59)	32.71 (3.04)	
ISPD5068	1	13.52 (1.26)	25 3/8" (644)	27 9/16" (701)	76 3/4" (1949)	16.63 (1.55)	13.52 (1.26)	32.71 (3.04)	
ISPD5468	2	30.00 (2.79)	56 1/4" (1430)	60 3/4" (1543)	76 3/4" (1949)	18.39 (1.71)	30.00 (2.79)	34.92 (3.24)	
ISPD5468	1	14.58 (1.36)	27 3/8" (695)	29 9/16" (752)	76 3/4" (1949)	18.39 (1.71)	14.58 (1.36)	34.92 (3.24)	
ISPD6068	2	34.26 (3.18)	64 1/4" (1633)	68 3/4" (1746)	76 3/4" (1949)	21.92 (2.04)	34.26 (3.18)	39.34 (3.65)	
ISPD6068	1	16.71 (1.55)	31 3/8" (797)	33 9/16" (853)	76 3/4" (1949)	21.92 (2.04)	16.71 (1.55)	39.34 (3.65)	
ISPD27611	1	14.02 (1.30)	25 3/8" (644)	27 9/16" (701)	79 5/8" (2022)	8.69 (0.81)	14.02 (1.30)	17.21 (1.60)	
ISPD29611	1	15.13 (1.41)	27 3/8" (695)	29 9/16" (752)	79 5/8" (2022)	9.61 (0.89)	15.13 (1.41)	18.36 (1.71)	
ISPD31611	1	17.34 (1.61)	31 3/8" (797)	33 9/16" (853)	79 5/8" (2022)	11.45 (1.06)	17.34 (1.61)	20.65 (1.92)	
ISPD33611**	1	18.68 (1.74)	33 3/8" (847)	35 9/16" (904)	80 5/8" (2048)	11.45 (1.06)	18.68 (1.74)	21.79 (2.03)	
ISPD41611	2	22.69 (2.11)	41" (1042)	45 1/8" (1156)	79 5/8" (2022)	12.20 (1.13)	22.69 (2.11)	27.46 (2.55)	
ISPD41611	1	10.91 (2.01)	19 3/4" (501)	21 15/16" (558)	79 5/8" (2022)	12.20 (1.13)	10.91 (1.01)	27.46 (2.55)	
ISPD50611	2	28.90 (2.69)	52 1/4" (1328)	56 3/4" (1441)	79 5/8" (2022)	17.38 (1.62)	28.91 (2.69)	33.89 (3.15)	
ISPD50611	1	14.02 (1.30)	25 3/8" (644)	27 9/16" (701)	79 5/8" (2022)	17.38 (1.62)	14.02 (1.30)	33.89 (3.15)	
ISPD54611	2	31.12 (2.89)	56 1/4" (1430)	60 3/4" (1543)	79 5/8" (2022)	19.23 (1.79)	31.12 (2.89)	36.18 (3.36)	
ISPD54611	1	15.13 (1.41)	27 3/8" (695)	29 9/16" (752)	79 5/8" (2022)	19.23 (1.79)	15.13 (1.41)	36.18 (3.36)	
ISPD60611	2	35.55 (3.30)	64 1/4" (1633)	68 3/4" (1746)	79 5/8" (2022)	22.91 (2.13)	35.55 (3.30)	40.76 (3.79)	
ISPD60611	1	17.34 (1.61)	31 3/8" (797)	33 9/16" (853)	79 5/8" (2022)	22.91 (2.13)	17.34 (1.61)	40.76 (3.79)	
ISPD2776	1	15.28 (1.42)	25 3/8" (644)	27 9/16" (701)	86 3/4" (2203)	9.63 (0.89)	15.28 (1.42)	18.70 (1.74)	
ISPD2976	1	16.48 (1.53)	27 3/8" (695)	29 9/16" (752)	86 3/4" (2203)	10.65 (0.99)	16.48 (1.53)	19.95 (1.85)	
ISPD3176	1	18.89 (1.76)	31 3/8" (797)	33 9/16" (853)	86 3/4" (2203)	12.69 (1.18)	18.89 (1.76)	22.43 (2.08)	
ISPD3376**	1	20.33 (1.89)	33 3/8" (847)	35 9/16" (904)	87 3/4" (2229)	12.69 (1.18)	20.33 (1.89)	23.68 (2.20)	
ISPD4176	2	24.72 (2.29)	41" (1042)	45 1/8" (1156)	86 3/4" (2203)	13.51 (1.26)	24.72 (2.30)	29.83 (2.77)	
ISPD4176	1	11.89 (1.11)	19 3/4" (501)	21 15/16" (558)	86 3/4" (2203)	13.51 (1.26)	11.89 (1.11)	29.83 (2.77)	
ISPD5076	2	31.50 (2.93)	52 1/4" (1328)	56 3/4" (1441)	86 3/4" (2203)	19.25 (1.79)	31.50 (2.93)	36.83 (3.42)	
ISPD5076	1	15.28 (1.42)	25 3/8" (644)	27 9/16" (701)	86 3/4" (2203)	19.25 (1.79)	15.28 (1.42)	36.83 (3.42)	
ISPD5476	2	33.91 (3.15)	56 1/4" (1430)	60 3/4" (1543)	86 3/4" (2203)	21.29 (1.98)	33.91 (3.15)	39.31 (3.65)	
ISPD5476	1	16.48 (1.53)	27 3/8" (695)	29 9/16" (752)	86 3/4" (2203)	21.29 (1.98)	16.48 (1.53)	39.31 (3.65)	
ISPD6076	2	38.73 (3.60)	64 3/8" (1633)	68 3/4" (1746)	86 3/4" (2203)	25.37 (2.36)	38.73 (3.60)	44.28 (4.11)	
ISPD6076	1	18.89 (1.76)	31 3/8" (797)	33 9/16" (853)	86 3/4" (2203)	25.37 (2.36)	18.90 (1.76)	44.28 (4.11)	
ISPD2780	1	16.33 (1.52)	25 3/8" (644)	27 9/16" (701)	92 3/4" (2356)	10.41 (0.97)	16.33 (1.52)	19.96 (1.85)	
ISPD2980	1	17.62 (1.64)	27 3/8" (695)	29 9/16" (752)	92 3/4" (2356)	11.52 (1.07)	17.62 (1.64)	21.29 (1.98)	
ISPD3180	1	20.20 (1.88)	31 3/8" (797)	33 9/16" (853)	92 3/4" (2356)	13.72 (1.28)	20.20 (1.88)	23.94 (2.22)	
ISPD3380**	1	21.72 (2.02)	33 3/8" (847)	35 9/16" (904)	93 3/4" (2381)	13.72 (1.28)	21.72 (2.02)	25.26 (2.35)	
ISPD4180	2	26.43 (2.46)	41" (1042)	45 1/8" (1156)	92 3/4" (2356)	14.62 (1.36)	26.43 (2.46)	31.83 (2.96)	
ISPD4180	1	12.71 (1.18)	19 3/4" (501)	21 15/16" (558)	92 3/4" (2356)	14.62 (1.36)	12.71 (1.18)	31.83 (2.96)	
ISPD5080	2	33.68 (3.13)	52 1/4" (1328)	56 3/4" (1441)	92 3/4" (2356)	20.82 (1.94)	33.68 (3.13)	39.29 (3.65)	
ISPD5080	1	16.33 (1.52)	25 3/8" (644)	27 9/16" (701)	92 3/4" (2356)	20.82 (1.94)	16.33 (1.52)	39.29 (3.65)	
ISPD5480	2	36.25 (3.37)	56 1/4" (1430)	60 3/4" (1543)	92 3/4" (2356)	23.03 (2.14)	36.25 (3.37)	41.95 (3.90)	
ISPD5480	1	17.62 (1.64)	27 3/8" (695)	29 9/16" (752)	92 3/4" (2356)	23.03 (2.14)	17.62 (1.64)	41.95 (3.90)	
ISPD6080	2	41.40 (3.85)	64 1/4" (1633)	68 3/4" (1746)	92 3/4" (2356)	27.44 (2.55)	41.40 (3.85)	47.25 (4.39)	
ISPD6080	1	20.20 (1.88)	31 3/8" (797)	33 9/16" (853)	92 3/4" (2356)	27.44 (2.55)	20.20 (1.88)	47.25 (4.39)	

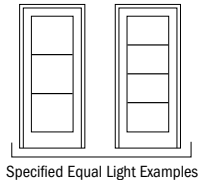
\*Dimensions in parentheses are in millimeters or square meters.

\*\*For two-panel active-passive or passive-active doors with only one panel open, clear opening is based on the active panel open and the passive panel closed.

\*\*\*For easier access, a special option is available that offers a 32" (813) clear opening width at 90° and a 1/2" (13) threshold. Contact your Andersen® supplier for availability.

**Grille Patterns**

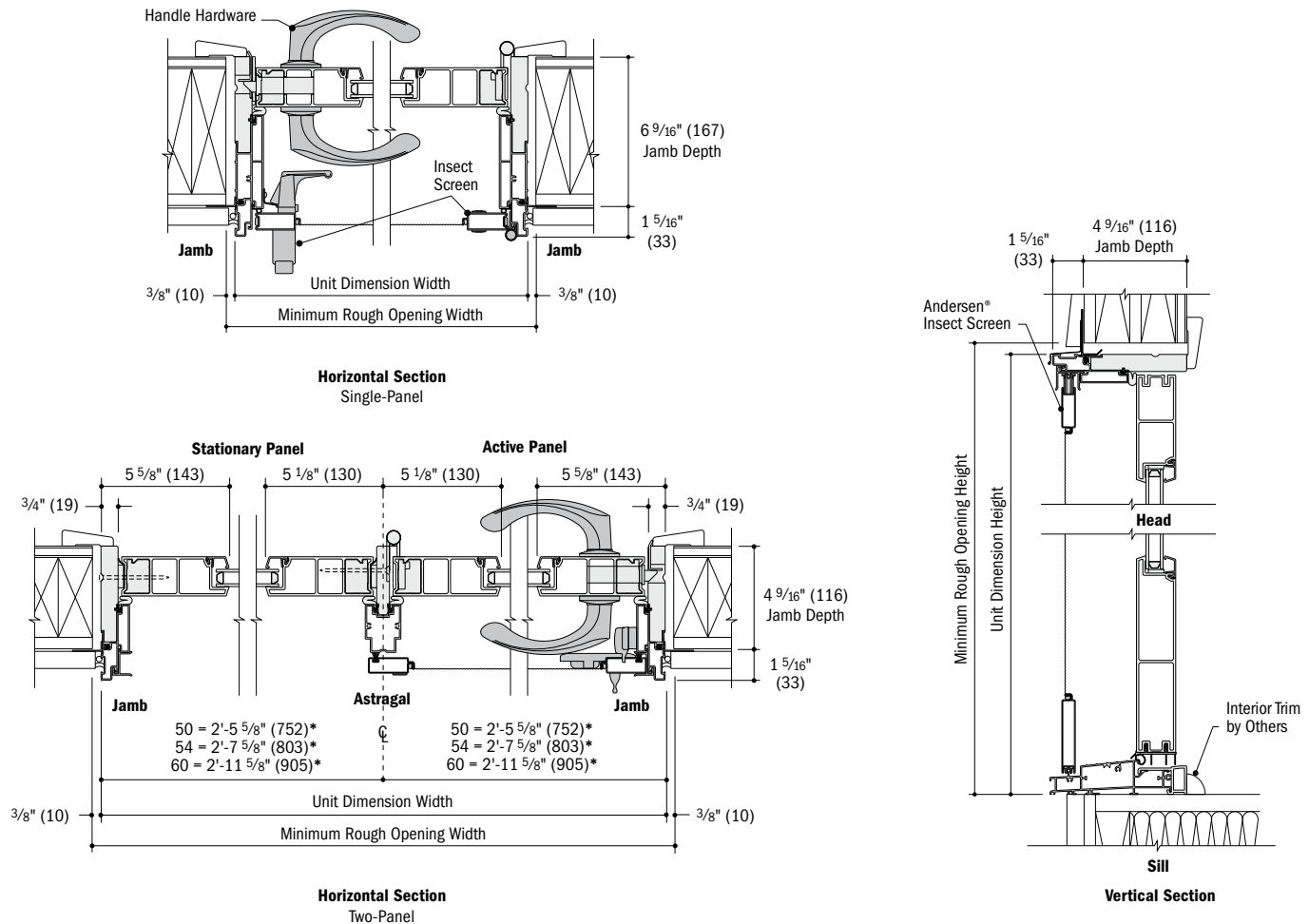
	Prairie A	Colonial	Modified Colonial	Modified Colonial with Simulated Meeting Rail	Tall Fractional	Tall Fractional with Simulated Meeting Rail	Short Fractional	Short Fractional with Simulated Meeting Rail
<b>Hinged Inswing Patio Doors</b>								



Specified Equal Light Examples

**Number of lights and overall pattern varies with panel size. Patterns are not available in all configurations.** Specified equal light is also available. For more information on divided light, see page 9 or visit [andersenwindows.com/grilles](http://andersenwindows.com/grilles).

**Hinged Inswing Patio Door Details – 4 9/16" (116) and 6 9/16" (167) Jamb Depth**  
Scale 1 1/2" (38) = 1'-0" (305) – 1:8



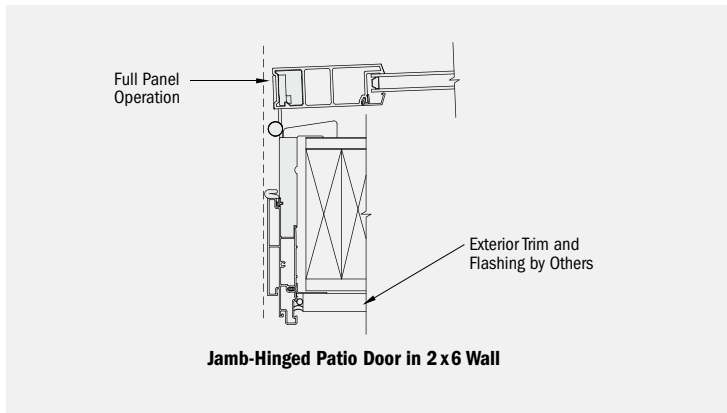
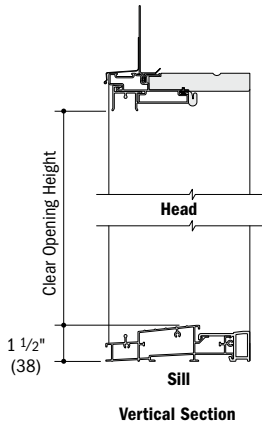
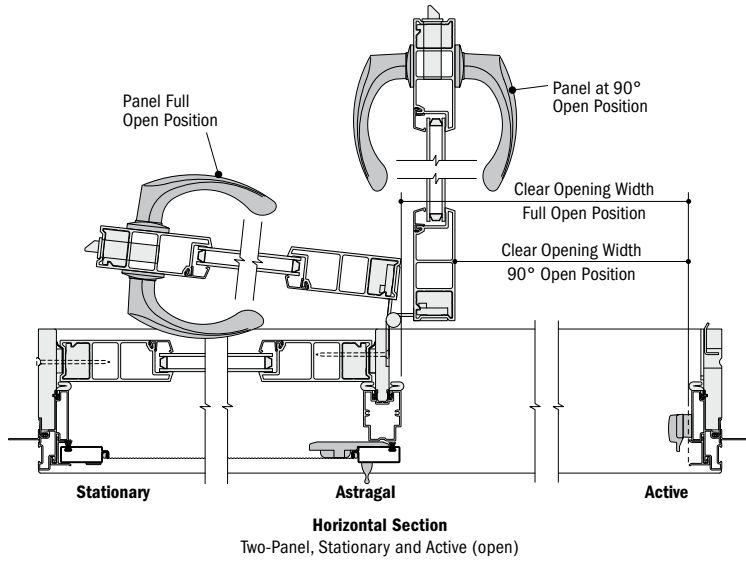
- 4 9/16" (116) and 6 9/16" (167) jamb depth measurements are from back side of installation flange.
- Light-colored areas are parts included with door. Dark-colored areas are additional Andersen® parts required to complete door assembly as shown.
- **Rough openings may need to be increased to allow for use of building wraps, flashing, sill panning, brackets, fasteners or other items. See installation information on pages 62-63.**
- Details are for illustration only and are not intended to represent product installation methods or materials. Refer to product installation guides at [andersenwindows.com](http://andersenwindows.com).
- Dimensions in parentheses are in millimeters.
- Dimensions indicate location of astragal centerline.

200 Series  
Hinged Inswing  
Patio Doors

# HINGED INSWING PATIO DOORS

## Clear Opening Details

Scale 1 1/2" (38) = 1'-0" (305) – 1:8



## Vertical Joining Detail – LVL

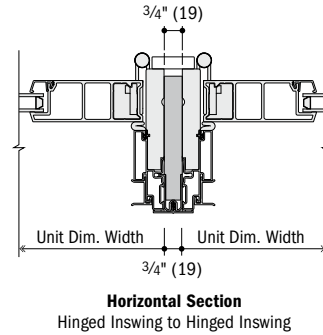
Scale 1 1/2" (38) = 1'-0" (305) – 1:8

### Overall Door Dimension Width

Sum of individual door widths  
plus 3/4" (19) for each join.

### Overall Rough Opening Width

Overall door width plus 3/4" (19).

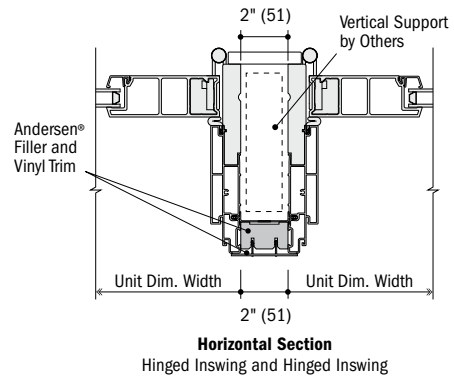


For more joining information, see the combination designs section starting on page 51.

## Separate Rough Openings Detail

Scale 1 1/2" (38) = 1'-0" (305) – 1:8

To meet structural requirements or to achieve a wider joined appearance, doors may be installed into separate rough openings having vertical support (by others) in combination with Andersen® exterior filler and exterior vinyl trim.



\* Light-colored areas are parts included with door. Dark-colored areas are additional Andersen® parts required to complete door assembly as shown.

\* **Rough openings may need to be increased to allow for use of building wraps, flashing, sill panning, brackets, fasteners or other items. See installation information on pages 62-63.**

\* Details are for illustration only and are not intended to represent product installation methods or materials. Refer to product installation guides at andersenwindows.com.

\* Andersen recommends installation of doors into separate rough openings. Consult with an architect or structural engineer regarding minimum requirements for structural support members between adjacent rough openings.

\* Dimensions in parentheses are in millimeters.

# WINDOW & DOOR EXTERIOR TRIM



Exterior Trim

## SECTION REFERENCE

3 ½" & 4 ½" Flat Casing Details.....	48
Brick Mould Detail .....	49
Sill Nose Detail.....	49
Decorative Drip Cap Detail .....	50
2" & 3 ⅝" Cornice Details.....	50
Mull Cover Detail.....	50

# EXTERIOR TRIM

## FEATURES



White trim with Terratone window



- A** For exceptional long-lasting\* performance, exterior trim is made from Fibrex® material or high-density urethane with low-maintenance exterior finishes.
- B** Sill nose profile, made from Fibrex material, is placed at the sill for a traditional look.
- C** Rigid vinyl exterior trim attachment strips (field-applied) allow the trim to be securely fastened to the home.
- D** Trim surrounds are assembled with corner keys and stainless steel fasteners for stability and strength.



Our Fibrex material is an environmentally smart composite that contains 40% pre-consumer reclaimed wood fiber by weight.

### Visualizer & Video

An online trim visualizer, installation guides and videos are available at [andersenwindows.com/exteriortrim](http://andersenwindows.com/exteriortrim).

## Exterior Trim System

### Easier Installation

- Installs independently of water management system
- No nail holes to fill
- No visible fasteners
- No painting

### Profiles

Exterior trim is available in four profiles made from our Fibrex material. Profiles include 3 ½" (89) flat casing, 4 ½" (114) flat casing, 2" (51) brick mould and sill nose for the bottom trim piece.

Thick trim profiles overlap the window frame (as shown to the left) to create clean lines without visible sealant joints.

### Drip Cap

Full-length, color-matched aluminum drip cap is included with kits and surrounds.

### End Caps

Provide a clean appearance when joining two trim members.

### Corner Keys

Provide tight alignment of corner joints.

### Fasteners

Screws are made of high-quality stainless steel and provide corner joints with a secure, tight fit.

### Head Trim Options

Three styles are available. All can be used above our flat casing and include an integrated installation flange. The decorative drip cap is made from our Fibrex material. Both the 2" (51) cornice and 3 ⅝" (92) cornice are made from highly durable urethane material. See head trim options on next page.

### Specialty Trim



Made of highly durable factory-finished urethane material for selected shapes. Contact your Andersen supplier for availability.

## PROFILES



**2" (51) BRICK MOULD**  
Dove gray trim with Terratone window



**3 ½" (89) Flat Casing**  
Dark bronze trim with white window



**4 ½" (114) Flat Casing**  
Canvas trim with forest green window

## COLORS

Trim can match or complement your window and door colors to create a wide range of combinations.



White Canvas Sandtone Terratone Forest Green Dark Bronze Dove Gray Prairie Grass Red Rock Cocoa Bean Black

\* Visit [andersenwindows.com/warranty](http://andersenwindows.com/warranty) for details.

Dimensions in parentheses are in millimeters.

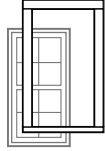
Printing limitations prevent exact duplication of colors. See your Andersen supplier for actual color samples.



## Installation Options

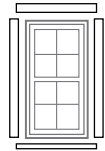
### Preassembled Trim Surrounds

Factory-assembled surrounds install quickly and eliminate measuring, cutting, mitering and filling nail holes.



### Precut Kits

Knock down kits include precut and predrilled trim with all the necessary components for on-site assembly for windows.



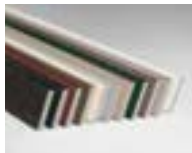
### Individual Trim Components

13' (3962) factory-finished trim lineals, end caps, corner keys, fasteners, metal drip caps and field attachment strips allow for field fabrication and assembly.



## ACCESSORIES Sold Separately

### Fibrex® Trim Board



Andersen offers a 3 1/2" (89) wide by 3/4" (19) thick cellular Fibrex trim board in 10' (3048) lengths. Available in the same 11 colors as the exterior trim system, this solid trim board can be ripped to size and can be fastened using nails or screws.

### Coil Stock



Factory-finished in any of our 11 exterior trim colors, our aluminum coil stock allows you to form your own profiles in the field. Made from .018" thick aluminum, coil stock is available in 24" (610) x 50' (15240) rolls. Color-matched stainless steel trim nails are also available and can be ordered in 1 lb/.454 kg boxes.

## HEAD TRIM OPTIONS



**DECORATIVE DRIP CAP**  
Shown with 3 1/2" (89) flat casing in red rock trim with Sandtone window



**2" (51) CORNICE**  
Shown with 3 1/2" (89) flat casing in red rock trim with Sandtone window

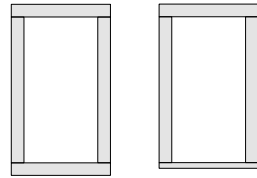


**3 5/8" (92) CORNICE**  
Shown with 3 1/2" (89) flat casing in red rock trim with Sandtone window

## TRIM COMBINATIONS

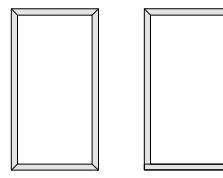
Not all trim options and/or combinations are shown. Contact your Andersen supplier for more information.

### 3 1/2" (89) or 4 1/2" (114) Flat Casing



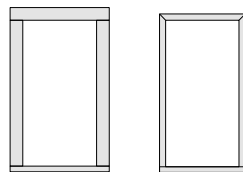
Flat casing can be used on all four sides flush at the head and sill. Combine 3 1/2" (89) and 4 1/2" (114) flat casing or use with a flush sill nose.

### Brick Mould



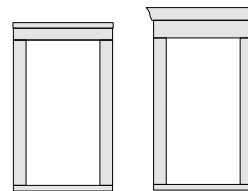
Brick mould can be used on all four sides or with a flush sill nose.

### Sill Nose



Sill nose can be used with flat casing or brick mould.

### Decorative Drip Cap and Cornices



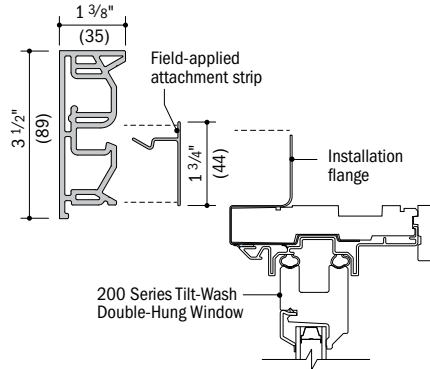
Decorative drip cap or cornices can be used above flat casing at the head.

# EXTERIOR TRIM

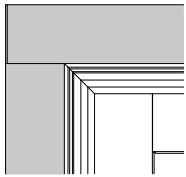
## Window and Patio Door Attachment

### Field-Applied Attachment Strip

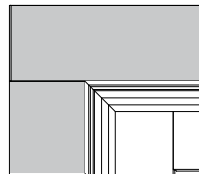
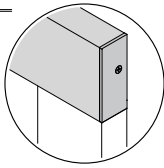
Field-applied attachment strip fastens to framing through window or patio door installation flange and flashing tape with screws. Exterior trim connects securely to the field-applied attachment strip. Follow window and patio door installation guides for flashing instructions.



## 3 1/2" and 4 1/2" Flat Casing



3 1/2" (89) flat casing with flush corner



4 1/2" (114) flat casing with flush corner

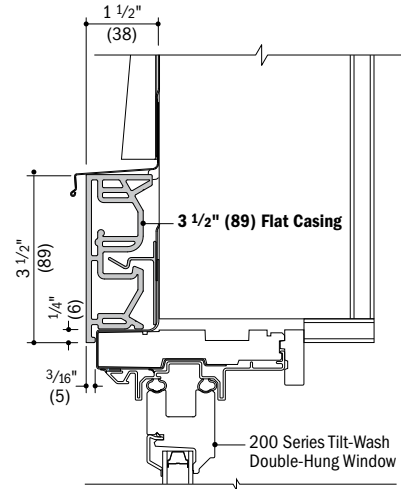
Formula for dimension of window/door plus exterior trim:

**Add 4 1/4" (108) per side for 4 1/2" (114) flat casing**

**Add 3 1/4" (83) per side for 3 1/2" (89) flat casing**

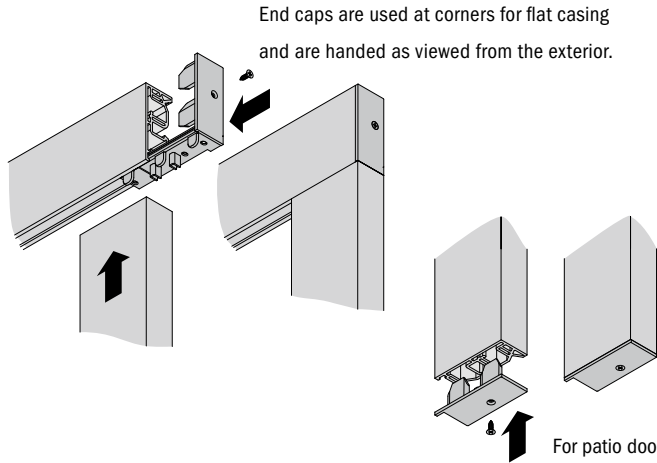
### Trim Details

Scale 3" (76) = 1'-0" (305) – 1:4



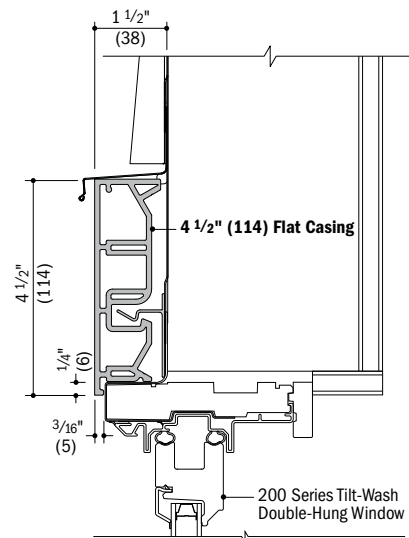
#### Vertical Section

200 Series Tilt-Wash Double-Hung Window with 3 1/2" (89) Flat Casing



End caps are used at corners for flat casing and are handed as viewed from the exterior.

For patio doors, end caps are used at the sill.



#### Vertical Section

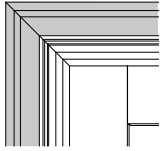
200 Series Tilt-Wash Double-Hung Window with 4 1/2" (114) Flat Casing

\* Dimensions in parentheses are in millimeters.

\* Typical trim combinations shown. Additional combinations may also be used. Some restrictions apply. For more information contact your Andersen supplier.

\* Details are for illustration only and are not intended to represent product installation methods or materials. Refer to product installation guides at [andersenwindows.com](http://andersenwindows.com).

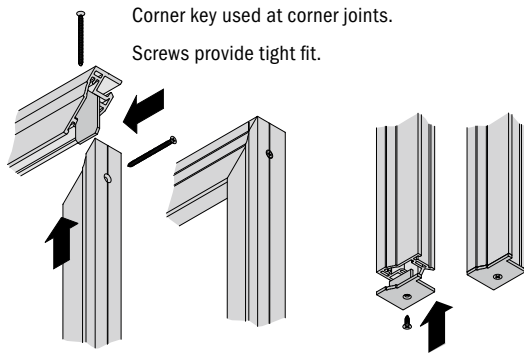
**Brick Mould**



Brick mould with mitered corners

Formula for dimension of window/door plus exterior trim:

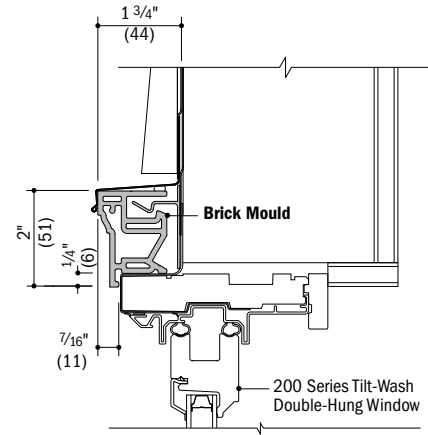
**Add 1 3/4" (44) per side for brick mould**



For patio doors, end caps are used at the sill.

**Trim Detail**

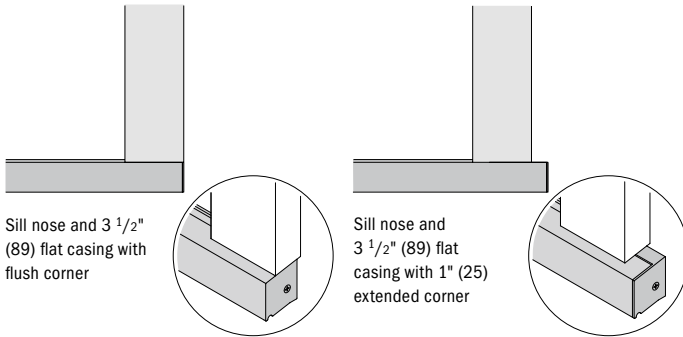
Scale 3" (76) = 1'-0" (305) – 1:4



**Vertical Section**

200 Series Tilt-Wash Double-Hung Window with Brick Mould

**Sill Nose**

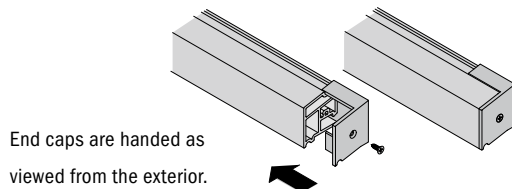


Sill nose and 3 1/2" (89) flat casing with flush corner

Sill nose and 3 1/2" (89) flat casing with 1" (25) extended corner

Formula for dimension of window plus exterior trim:

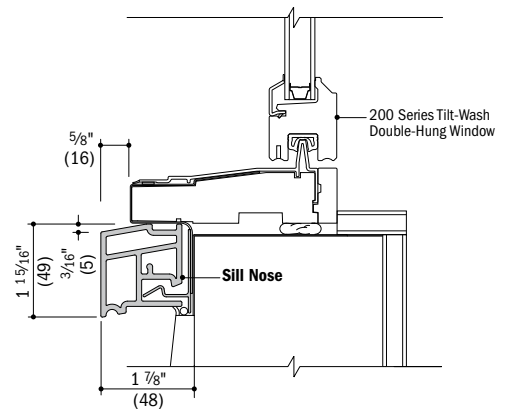
**Add 1 15/16" (49) for sill nose**



End caps are handed as viewed from the exterior.

**Trim Detail**

Scale 3" (76) = 1'-0" (305) – 1:4



**Vertical Section**

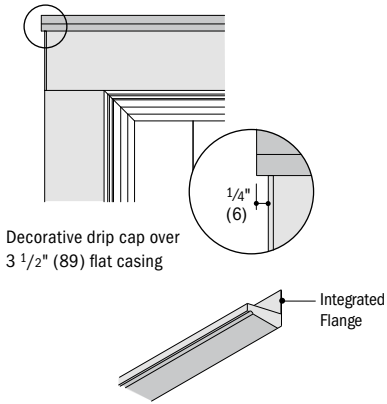
200 Series Tilt-Wash Double-Hung Window with Sill Nose

Exterior Trim

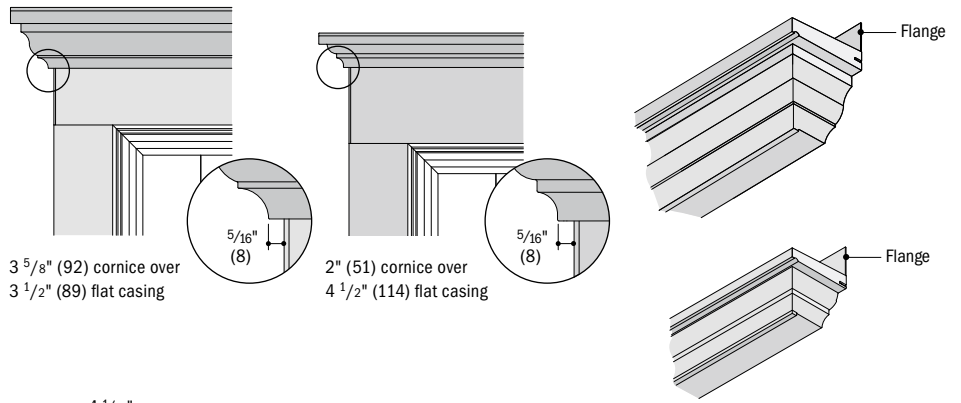
\*Dimensions in parentheses are in millimeters.  
\*Typical trim combinations shown. Additional combinations may also be used. Some restrictions apply. For more information contact your Andersen supplier.  
\*Details are for illustration only and are not intended to represent product installation methods or materials. Refer to product installation guides at andersenwindows.com.

# EXTERIOR TRIM

## Decorative Drip Cap

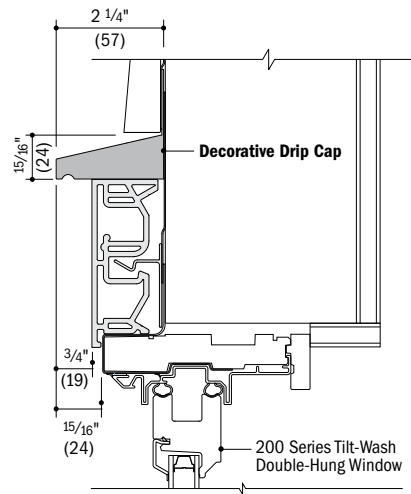


## Cornices

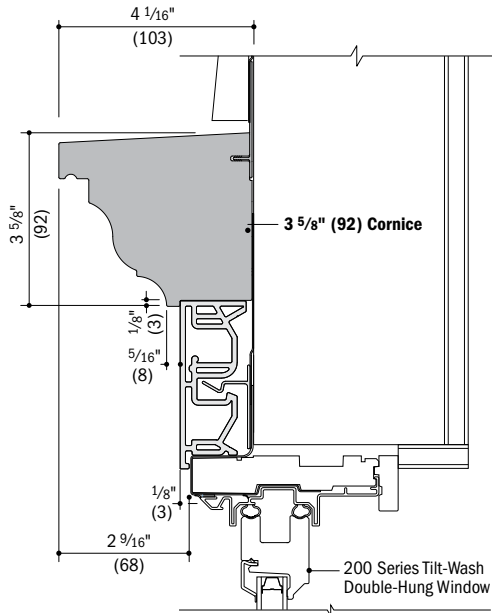


## Details

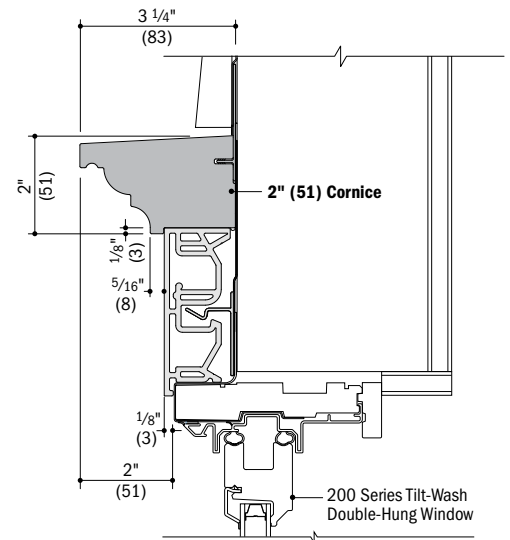
Scale 3" (76) = 1'-0" (305) – 1:4



**Vertical Section**  
200 Series Tilt-Wash Double-Hung Window with 3 1/2" (89) Flat Casing and Decorative Drip Cap



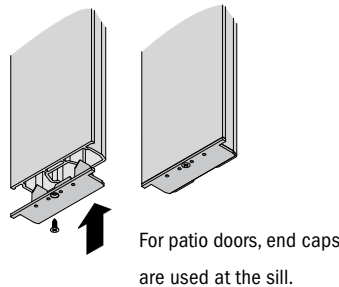
**Vertical Section**  
200 Series Tilt-Wash Double-Hung Window with 3 1/2" (89) Flat Casing and 3 5/8" (92) Cornice



**Vertical Section**  
200 Series Tilt-Wash Double-Hung Window with 3 1/2" (89) Flat Casing and 2" (51) Cornice

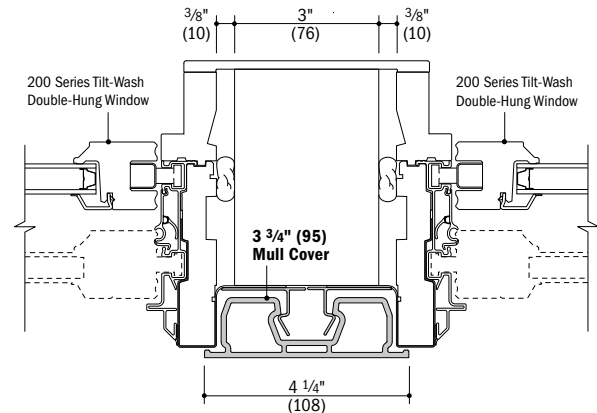
## Mull Cover

3 3/4" (95) mull cover is available for installations where windows or patio doors have been installed into separate rough openings to obtain a joined appearance.



## Separate Rough Opening Detail

Scale 3" (76) = 1'-0" (305) – 1:4



**Horizontal Section**  
200 Series Tilt-Wash Double-Hung Windows and 3 3/4" (95) Mull Cover

\* Dimensions in parentheses are in millimeters.  
\* Typical trim combinations shown. Additional combinations may also be used. Some restrictions apply. For more information contact your Andersen supplier.  
\* Details are for illustration only and are not intended to represent product installation methods or materials. Refer to product installation guides at andersenwindows.com.  
\* Consult with an architect or structural engineer regarding minimum requirements for structural support members between adjacent rough openings.

# Andersen® windows and patio doors make it easy to create a wide variety of combination designs.

## Combination Types

### Ribbons

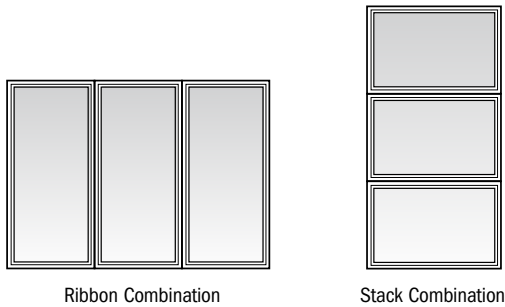
Ribbons are horizontal window combinations (vertical joins) where opposite ends (head and sill) of individual windows are fastened to the building structure.

### Stacks

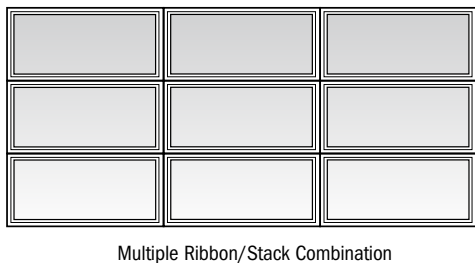
Stacks are vertical window combinations (horizontal joins) where opposite sides (both side jambs) of individual windows are fastened to the building structure.

Two basic configurations are used in combination designs:  
One-way configurations or two-way configurations.

### One-Way



### Two-Way



Two-way combinations exist when multiple vertical stacks and horizontal ribbons are joined together. Unlike one-way combinations, the adjacent sides (head and sill, or both side jambs) of individual units are not necessarily fastened directly to the building structure. Two-way combinations are joined with both vertical and horizontal joining material and may require reinforced joining materials and brackets depending on the local building code requirement for design wind load (measured in pounds per square foot, PSF).

## Determining Design Wind Load Performance

Proper combination design in conformance with local wind load requirements is vital to the success of your project. To make sure a combination is safe and that it complies with local building codes, the combination design wind load performance capacity must be determined.

Correctly determining this performance capacity involves the following three steps:

### STEP 1

#### Determine Building Code Requirement

Make sure that you have the proper local codes and have identified specified compliance values. This calculated value (PSF) will be used to determine if the combination will be acceptable (STEP 3).



### STEP 2

#### Determine Product Performance

Compare product Design Pressure Rating data to the local building code (PSF) requirement. This will show whether the individual units in a combination design are acceptable.



### STEP 3

#### Determine Combination Performance

This step helps determine whether a given product, size, configuration and joining material type will meet the local building code design wind load requirement. To determine what joining material type to use (LVL, steel or wood), compare the local building code design wind load requirement to the design wind load table value for a particular joining material on the following pages.

# COMBINATION DESIGNS

## Andersen® Joining Materials and Installation Accessories

For a successful installation, designed to provide the required design pressure, it is important that Andersen joining materials and installation accessories be specified by a project architect or contractor. Andersen offers various types of joining materials. All joining systems maintain the look of Andersen products. Choose the type appropriate for your combination design. Components used with each joining system will vary depending on products being joined. Check with your Andersen supplier for more information.

The addition of joining materials will affect the overall rough opening dimension, see page 62. **Instruction guides are available at [andersenwindows.com](http://andersenwindows.com). Read and follow instruction guides in their entirety.**

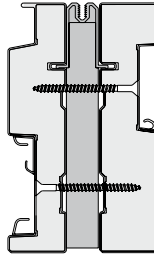
**Andersen Exterior Trim Strips** – A variety of trim strips for finishing the space between joined products are available in colors to match Andersen windows and doors.

**Andersen Interior Wood Casing** – Available in several wood types, pre-finished options, sizes and style options, including laminated arch casings, decorative plinths and key blocks.

Materials vary depending on type of units being joined and wind load requirements. Non-reinforced joining materials are used to create alignment and positive joining between windows. Joining materials are not connected to the rough opening structure. Non-reinforced joins can also be achieved using accessory items such as v-notch gusset plates. Please contact your Andersen supplier for specific performance and product recommendations.

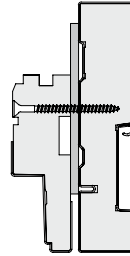
Reinforced joining materials are used to create product alignment, positive joining and load transfer between the Andersen windows and doors and the rough opening. They provide added strength capable of withstanding a variety of wind load pressures. The structural performance of any combination is only as high as the lowest structural performance rating of any individual window or joining material in the combination.

### LVL Joining Material



Laminated Veneer Lumber (LVL) joining material is available for gliding patio doors. Both 4 9/16" (116) x 3/4" (19) LVL and 6 9/16" (167) x 3/4" (19) LVL are available and include an aluminum exterior trim strip retainer. LVL materials are available in a variety of lengths up to 10' (3048).

### Steel Joining Material

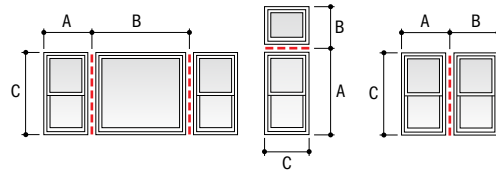


Available in 8'-0 1/4" (2445), 9'-6" (2896) and 12'-6" (3810) lengths. Treated for corrosion resistance, the material has a 4" (102) depth that provides strength and rigidity. Adjacent windows attach to the steel joining with screws provided in the kit. Use with windows and patio doors. 200 Series Perma-Shield® gliding patio door is shown above with a 400 Series casement window.

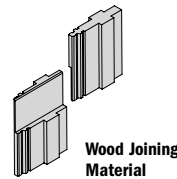
## Double-Hung Windows

### One-Way Wood Joining with Non-Reinforced Gusset Plates 200 Series Tilt-Wash Double-Hung, Picture & Transom Windows

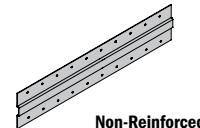
Average Adjacent Window Dimension	(A + B) ÷ 2 = 6'-0" (1829)	50	50	50	41	31	24
	(A + B) ÷ 2 = 5'-6" (1676)	50	50	50	41	31	24
	(A + B) ÷ 2 = 5'-0" (1524)	50	50	50	41	31	25
	(A + B) ÷ 2 = 4'-6" (1372)	50	50	50	42	32	26
	(A + B) ÷ 2 = 4'-0" (1219)	50	50	50	44	34	28
	(A + B) ÷ 2 = 3'-6" (1067)	50	50	50	47	37	31
	(A + B) ÷ 2 = 3'-0" (914)	50	50	50	50	42	35
	(A + B) ÷ 2 = 2'-6" (762)	50	50	50	50	49	40
	(A + B) ÷ 2 = 2'-0" (610)	50	50	50	50	50	50
(A + B) ÷ 2 = 1'-6" (457)	50	50	50	50	50	50	
<b>C = (length of join)</b>	<b>3'-6"</b> (1067)	<b>4'-0"</b> (1219)	<b>4'-6"</b> (1372)	<b>5'-0"</b> (1524)	<b>5'-6"</b> (1676)	<b>6'-0"</b> (1829)	



Note: Only one-way combinations similar to those shown above are allowed.



Wood Joining Material



Non-Reinforced Gusset Plate

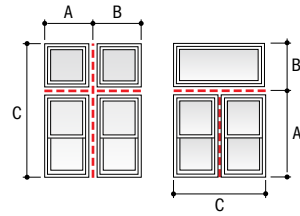
\* Numerical values in charts represent structural pressure only.  
 \* Dimensions in parentheses are in millimeters.  
 \* Structural performance of any combination is only as high as the lowest structural performance of any individual unit or joining material in the combination.  
 \* Andersen® products must be installed and anchored properly according to joining and installation guides to meet rated structural performance. Refer to product joining and installation guides at [andersenwindows.com](http://andersenwindows.com).  
 \* Additional windload tables are available at [andersenwindows.com](http://andersenwindows.com).

## Double-Hung Windows

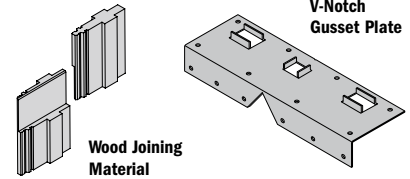
### Two-Way Wood Joining with V-Notch Gusset Plates

200 Series Tilt-Wash Double-Hung, Picture & Transom Windows

Average Adjacent Window Dimension	(A + B) ÷ 2 = <b>6'-0"</b> (1829)	40	30	24						
	(A + B) ÷ 2 = <b>5'-6"</b> (1676)	43	33	26	21					
	(A + B) ÷ 2 = <b>5'-0"</b> (1524)	48	36	29	23					
	(A + B) ÷ 2 = <b>4'-6"</b> (1372)	50	41	32	26	21				
	(A + B) ÷ 2 = <b>4'-0"</b> (1219)	50	46	36	29	24	20			
	(A + B) ÷ 2 = <b>3'-6"</b> (1067)	50	50	41	33	27	23			
	(A + B) ÷ 2 = <b>3'-0"</b> (914)	50	50	48	39	32	27	23	20	
	(A + B) ÷ 2 = <b>2'-6"</b> (762)	50	50	50	47	39	32	27	24	21
	(A + B) ÷ 2 = <b>2'-0"</b> (610)	50	50	50	50	48	41	34	30	26
	(A + B) ÷ 2 = <b>1'-6"</b> (457)	50	50	50	50	50	50	46	40	35
<b>C = (length of join)</b>	<b>3'-6"</b> (1067)	<b>4'-0"</b> (1219)	<b>4'-6"</b> (1372)	<b>5'-0"</b> (1524)	<b>5'-6"</b> (1676)	<b>6'-0"</b> (1829)	<b>6'-6"</b> (1981)	<b>7'-0"</b> (2134)	<b>7'-6"</b> (2286)	



Note: Only two-way combinations similar to those shown above are allowed.



#### Design Criteria for Two-Way Joining with V-Notch Gusset Plate:

Ribbons or stacks of 5 windows or less with a maximum width/height of 12' (3658).

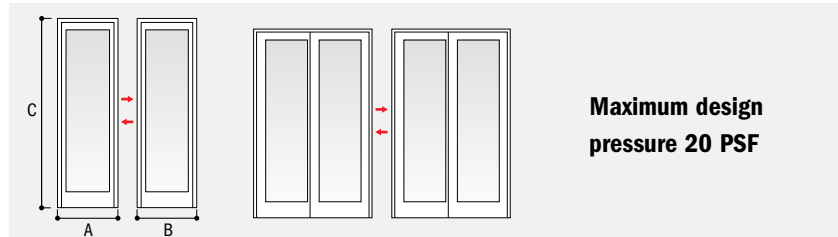
No inverted T-joints or palladian configurations are allowed.

Two-way combinations are limited to a maximum 7'-6" (2286) height and have vertical joining priority.

## Patio Doors

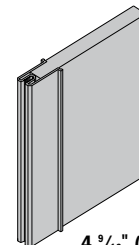
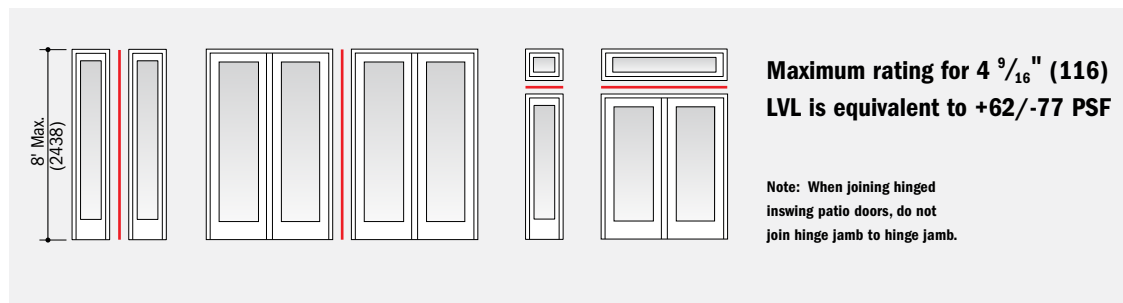
### One-Way Jamb-to-Jamb Joining

200 Series Narroline® Gliding & Perma-Shield® Gliding Patio Doors



### One-Way LVL Joining

200 Series Narroline® Gliding, Perma-Shield® Gliding and Hinged Inswing Patio Doors



**4 9/16" (116) x 3/4" (19)**  
LVL Joining Material

Combination Design,  
Product Performance  
& Installation

- Numerical values in charts represent structural pressure only.
- Dimensions in parentheses are in millimeters.
- Structural performance of any combination is only as high as the lowest structural performance of any individual unit or joining material in the combination.
- Andersen® products must be installed and anchored properly according to joining and installation guides to meet rated structural performance. Refer to product joining and installation guides at andersenwindows.com.
- Additional windload tables are available at andersenwindows.com.

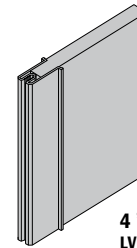
# COMBINATION DESIGNS

## Patio Doors

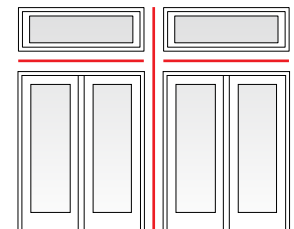
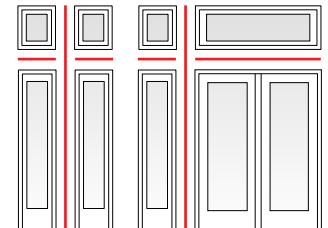
### Two-Way LVL Joining

#### 200 Series Narroline® Gliding & Perma-Shield® Gliding Patio Doors

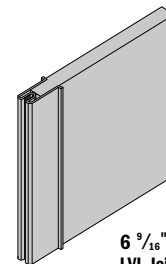
<b>4 9/16" (116) LVL</b>	Average Adjacent Door/Transom/Sidelight Dimension	(A + B) ÷ 2 = 8'-0" (2438)	30	27	25	23	21	20				
		(A + B) ÷ 2 = 7'-9" (2362)	31	29	26	24	22	21				
		(A + B) ÷ 2 = 7'-6" (2286)	32	29	27	25	23	21				
		(A + B) ÷ 2 = 7'-3" (2210)	33	30	27	25	23	21	20			
		(A + B) ÷ 2 = 7'-0" (2134)	34	31	29	24	24	22	21			
		(A + B) ÷ 2 = 6'-9" (2057)	35	32	29	27	25	23	21			
		(A + B) ÷ 2 = 6'-6" (1981)	36	33	31	28	26	24	22	20		
		(A + B) ÷ 2 = 6'-3" (1905)	37	34	31	29	27	25	23	21		
		(A + B) ÷ 2 = 6'-0" (1829)	39	35	33	30	27	25	23	22	20	
		(A + B) ÷ 2 = 5'-9" (1753)	40	37	34	31	29	27	25	23	21	
		(A + B) ÷ 2 = 5'-6" (1676)	42	38	35	33	30	27	25	23	22	20
		(A + B) ÷ 2 = 5'-3" (1600)	43	40	37	34	31	29	27	25	23	21
		(A + B) ÷ 2 = 5'-0" (1524)	45	42	39	35	33	30	27	25	23	22
		(A + B) ÷ 2 = 4'-9" (1448)	47	44	40	37	34	31	29	27	25	23
		(A + B) ÷ 2 = 4'-6" (1372)	50	46	42	39	35	33	30	28	26	24
		(A + B) ÷ 2 = 4'-3" (1295)	53	49	45	41	37	35	32	29	27	25
		(A + B) ÷ 2 = 4'-0" (1219)	56	51	47	43	39	37	33	31	29	27
		(A + B) ÷ 2 = 3'-9" (1143)	59	54	50	46	42	39	35	33	30	28
		(A + B) ÷ 2 = 3'-6" (1067)	63	57	53	49	45	41	38	35	32	30
		(A + B) ÷ 2 = 3'-3" (991)	67	62	57	52	48	44	41	37	33	32
(A + B) ÷ 2 = 3'-0" (914)	73	67	61	56	51	47	43	40	37	34		
<b>C = (length of join)</b>	<b>7'-9" (2362)</b>	<b>8'-0" (2438)</b>	<b>8'-3" (2515)</b>	<b>8'-6" (2591)</b>	<b>8'-9" (2667)</b>	<b>9'-0" (2743)</b>	<b>9'-3" (2819)</b>	<b>9'-6" (2896)</b>	<b>9'-9" (2972)</b>	<b>10'-0" (3048)</b>		



4 9/16" (116) x 3/4" (19) LVL Joining Material



<b>6 3/16" (167) LVL</b>	Average Adjacent Door/Transom/Sidelight Dimension	(A + B) ÷ 2 = 8'-0" (2438)	45	43	43	41	41	40	37	36	35	35	
		(A + B) ÷ 2 = 7'-9" (2362)	46	45	44	43	42	41	38	37	37	37	35
		(A + B) ÷ 2 = 7'-6" (2286)	47	46	45	44	43	42	39	38	37	37	37
		(A + B) ÷ 2 = 7'-3" (2210)	49	47	47	45	44	43	40	39	39	39	38
		(A + B) ÷ 2 = 7'-0" (2134)	50	49	48	47	45	45	41	41	41	40	39
		(A + B) ÷ 2 = 6'-9" (2057)	51	51	49	48	47	46	43	42	42	41	40
		(A + B) ÷ 2 = 6'-6" (1981)	53	52	51	50	49	47	44	43	42	41	41
		(A + B) ÷ 2 = 6'-3" (1905)	55	54	53	51	50	49	46	45	44	44	43
		(A + B) ÷ 2 = 6'-0" (1829)	57	56	55	53	52	51	47	47	47	45	45
		(A + B) ÷ 2 = 5'-9" (1753)	59	58	57	55	54	53	49	49	49	47	47
		(A + B) ÷ 2 = 5'-6" (1676)	62	61	59	57	56	55	51	51	51	49	49
		(A + B) ÷ 2 = 5'-3" (1600)	65	63	61	60	59	57	53	53	53	51	51
		(A + B) ÷ 2 = 5'-0" (1524)	67	66	64	63	61	60	56	55	55	54	53
		(A + B) ÷ 2 = 4'-9" (1448)	71	69	67	65	64	63	59	57	57	57	55
		(A + B) ÷ 2 = 4'-6" (1372)	74	73	71	69	67	65	62	61	59	59	58
		(A + B) ÷ 2 = 4'-3" (1295)	77	76	75	73	71	69	65	64	63	63	61
		(A + B) ÷ 2 = 4'-0" (1219)	77	77	77	77	75	73	69	67	66	66	65
		(A + B) ÷ 2 = 3'-9" (1143)	77	77	77	77	77	77	73	72	70	69	69
		(A + B) ÷ 2 = 3'-6" (1067)	77	77	77	77	77	77	77	76	75	73	73
		(A + B) ÷ 2 = 3'-3" (991)	77	77	77	77	77	77	77	77	77	77	77
(A + B) ÷ 2 = 3'-0" (914)	77	77	77	77	77	77	77	77	77	77	77		
<b>C = (length of join)</b>	<b>7'-9" (2362)</b>	<b>8'-0" (2438)</b>	<b>8'-3" (2515)</b>	<b>8'-6" (2591)</b>	<b>8'-9" (2667)</b>	<b>9'-0" (2743)</b>	<b>9'-3" (2819)</b>	<b>9'-6" (2896)</b>	<b>9'-9" (2972)</b>	<b>10'-0" (3048)</b>			



6 3/16" (167) x 3/4" (19) LVL Joining Material

- Numerical values in charts represent structural pressure only.
- Dimensions in parentheses are in millimeters.
- Structural performance of any combination is only as high as the lowest structural performance of any individual unit or joining material in the combination.
- Andersen® products must be installed and anchored properly according to joining and installation guides to meet rated structural performance. Refer to product joining and installation guides at andersenwindows.com.
- Additional windload tables are available at andersenwindows.com.

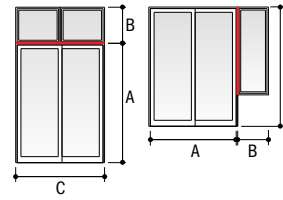


**Patio Doors**

**One-Way Steel Joining**

200 Series Narroline® Gliding, Perma-Shield® Gliding and Hinged Inswing Patio Doors

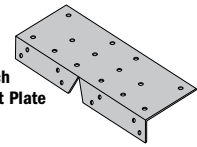
Average Adjacent Window/Door Dimension	(A + B) + 2 = <b>12'-6"</b> (3810)	40	37	33	25	22													
	(A + B) + 2 = <b>12'-0"</b> (3658)	40	37	34	26	23													
	(A + B) + 2 = <b>11'-6"</b> (3505)	40	38	35	27	24													
	(A + B) + 2 = <b>11'-0"</b> (3353)	40	39	36	29	25													
	(A + B) + 2 = <b>10'-6"</b> (3200)	40	40	37	30	27	21												
	(A + B) + 2 = <b>10'-0"</b> (3048)	40	40	37	32	28	22												
	(A + B) + 2 = <b>9'-6"</b> (2896)	40	40	39	34	30	23	20											
	(A + B) + 2 = <b>9'-0"</b> (2743)	40	40	40	36	32	25	21											
	(A + B) + 2 = <b>8'-6"</b> (2591)	40	40	40	37	34	27	22											
	(A + B) + 2 = <b>8'-0"</b> (2438)	40	40	40	39	36	28	24											
	(A + B) + 2 = <b>7'-6"</b> (2286)	40	40	40	40	37	31	27	21										
	(A + B) + 2 = <b>7'-0"</b> (2134)	40	40	40	40	40	32	28	22										
	(A + B) + 2 = <b>6'-6"</b> (1981)	40	40	40	40	40	36	31	25	23									
	(A + B) + 2 = <b>6'-0"</b> (1829)	40	40	40	40	40	39	36	27	24	20								
	(A + B) + 2 = <b>5'-6"</b> (1676)	40	40	40	40	40	40	37	30	25	24								
	(A + B) + 2 = <b>5'-0"</b> (1524)	40	40	40	40	40	40	40	36	28	25								
	(A + B) + 2 = <b>4'-6"</b> (1372)	40	40	40	40	40	40	40	37	31	27	23	20						
	(A + B) + 2 = <b>4'-0"</b> (1219)	40	40	40	40	40	40	40	40	37	30	26	25	21					
	(A + B) + 2 = <b>3'-6"</b> (1067)	40	40	40	40	40	40	40	40	40	36	27	26	25					
	(A + B) + 2 = <b>3'-0"</b> (914)	40	40	40	40	40	40	40	40	40	40	36	30	26	23				
(A + B) + 2 = <b>2'-6"</b> (762)	40	40	40	40	40	40	40	40	40	40	40	38	34	26	20				
(A + B) + 2 = <b>2'-0"</b> (610)	40	40	40	40	40	40	40	40	40	40	40	40	40	34	28				
<b>C = (length of join)</b>	<b>5'-6"</b> (1676) or less	<b>6'-0"</b> (1829)	<b>6'-6"</b> (1981)	<b>7'-0"</b> (2134)	<b>7'-6"</b> (2286)	<b>8'-0"</b> (2438)	<b>8'-6"</b> (2591)	<b>9'-0"</b> (2743)	<b>9'-6"</b> (2896)	<b>10'-0"</b> (3048)	<b>10'-6"</b> (3200)	<b>11'-0"</b> (3353)	<b>11'-6"</b> (3505)	<b>12'-0"</b> (3658)	<b>12'-6"</b> (3810)				



**Intended for use with patio door to window joins only.**  
Please refer to patio door tables for further information regarding structural support between doors.

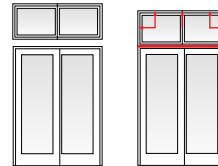
**4" (102) x 3/16" (5) Steel Joining Material**

**V-Notch Gusset Plate**



**Figure 1**

Andersen recommends use of a separating structural header between the door head and sill of any transom unit(s). If you choose not to use a header, and a single row of transom units is desired above the door, make sure the units are securely fastened to the adjacent framing and securely "hung" by screwing through the transom unit frame(s) into the header above. Steel joining may be required. **IMPORTANT: HEADER SAG MAY ADVERSELY AFFECT THE PROPER FUNCTIONING AND PERFORMANCE OF THE DOOR AND/OR WINDOW.** No weight from the transom unit(s) may be transferred to the door head if proper operation of the door is to be achieved.



**Figure 1**

**Figure 2**

Any transom combination made up of more than a single row of windows must have a separating header (by others).



**Figure 2**

\* Numerical values in charts represent structural pressure only.  
 \* Dimensions in parentheses are in millimeters.  
 \* Structural performance of any combination is only as high as the lowest structural performance of any individual unit or joining material in the combination.  
 \* Andersen® products must be installed and anchored properly according to joining and installation guides to meet rated structural performance. Refer to product joining and installation guides at andersenwindows.com.  
 \* Additional windload tables are available at andersenwindows.com.

# PRODUCT PERFORMANCE

## Andersen® 200 Series Window and Patio Door Altitude Limits

The chart below gives the altitude limit in feet for most 200 Series products in this catalog. If the installation of a given product is at an altitude greater than that shown in this chart, a capillary breather tube must be ordered. Be aware that the use of a capillary breather tube eliminates argon gas blend fill and will result in a slightly lower thermal performance (approximately 0.02 increase in window U-Factor). For NFRC certified total unit performance on units with capillary breather tubes for higher altitude applications, please visit [andersenwindows.com/nfrc](http://andersenwindows.com/nfrc).

The use of dual-pane insulating glass without capillary breather tubes at altitudes higher than its rating will result in severe glass distortion, increased glass breakage potential and a risk for seal failure.

Smaller windows are most affected by altitude changes. An increase in altitude results in a decrease in atmospheric pressure. A sealed insulating glass unit attempts to combat this change by increasing its volume to reduce its pressure. One way to increase its volume is by glass deflection. A smaller window is stiffer and does not deflect as much as a larger window; therefore, it cannot relieve the pressure as readily. Thus, the load applied to the glass is greater, resulting in a greater risk for breakage. Another way the window tries to increase its volume is by increasing the edge area; i.e. the seal area. The increased pressure applied to the edge seal load for a smaller window is therefore greater, increasing the chance for seal failure.

Product	2,000	3,000	4,000		5,000		6,000		7,000		8,000		9,000		10,000		
Tilt-Wash Double-Hung Window					5,000		6,000		7,000		8,000						
					DH1830	DH1850	DH2830	DH2036	DH2056	DH3036	DH2446	DH3046	DH2849	DH2850	DH2856	DH3056	DH3456
					DH1836	DH1856	DH3030	DH2430	DH2060	DH2050	DH2449	DH2456	DH3049	DH2860	DH3450	DH3060	DH3460
					DH1840	DH1860	DH3430	DH2046	DH2436	DH3040	DH2450	DH2460	DH3449	DH3050			
					DH1846	DH2030		DH2049	DH2440	DH2040	DH2846	DH3436					
				DH1849	DH2430		DH2836	DH2840		DH3446							
							DH3436	DH3440									
Tilt-Wash Picture Window			4,000														
					FX5010						FX3056	FX3049		FX5056	FX6040	FX4656	FX5040
					FX4610						FX3050	FX4930		FX5050	FX4046	FX4940	FX5046
											FX3030	FX5030		FX4650	FX4049	FX4946	FX5049
											FX3040	FX5630		FX4649	FX4050	FX4949	FX5060
										FX3046	FX4030		FX4660	FX4056	FX4950	FX5640	
										FX3060	FX4630		FX4040	FX4640	FX4956	FX5646	
											FX6030		FX4060	FX4646	FX4960	FX5649	
													FX5650	FX6046	FX6049	FX6050	
Tilt-Wash Transom Window	FX3410	FX3016	FX2416	FX3010	FX3420	FX2420											
		FX1816	FX2010	FX1810	FX3020	FX2020											
		FX2410	FX2810	FX2816	FX2820												
		FX2016	FX3416	FX1820													
Tilt-Wash Half Circle Window		CT20	CT24	CT30	CT34												
			CT28	CT18													
Gliding Window					GW3030		GW4046	GW4040					GW5050	GW5046	GW6050	GW6040	GW6036
					GW3020		GW4036	GW4030					GW5040	GW5036	GW6046	GW6030	
				GW4016		GW4020	GW3040					GW5030					
						GW4050	GW3036										
Narroline® Gliding Patio Door													NLGD5068	NLGD5080	NLGD6068	NLGD6080	NLGD80611
													NLGD50611		NLGD60611	NLGD8068	NLGD8080
Perma Shield® Gliding Patio Door													PS5068		PS51168	PS61611	PS81611
															PS6180	PS8180	
Hinged Inswing Patio Door					ISPD4168	ISPD4176				ISPD5068	ISPD5076	ISPD5468	ISPD5476		ISPD6068	ISPD6076	
					ISPD41611	ISPD4180				ISPD50611	ISPD5080	ISPD54611	ISPD5480		ISPD60611	ISPD6080	

\* Deflection of glass will occur on units with larger glass areas. If interior/exterior grilles are used on double-hung windows, gliding windows or gliding patio doors, some interference may occur, affecting operation of these units.

\* Altitude limits for patio doors shown in two-panel configurations. These limits also qualify for same size panels used in one or multiple panel configurations.

• **Contact your Andersen supplier for altitude limits for custom sized windows and patio doors.**



# PRODUCT PERFORMANCE

## Performance Grade & Air Infiltration Ratings for 200 Series Windows & Patio Doors

For current performance information, please visit [andersenwindows.com](http://andersenwindows.com).

Andersen® Product	AAMA/WDMA/CSA 101/I.S.2/A440 Performance Grade (PG)	+/- Corresponding Design Pressure (DP)	Air Infiltration CFM/FT <sup>2</sup>
<b>Tilt-Wash Windows</b>			
Double-Hung	Class LC-PG30 Size Tested 39" x 71"	30/30	< 0.2
Half Circle	Class LC-PG50 Size Tested 75" x 40"	50/50	< 0.2
Picture	Class LC-PG50 Size Tested 71" x 59"	50/50	< 0.2
Gliding Windows	Class R-PG20 Size Tested 71" x 59"	20/20	< 0.2
<b>Narroline® Gliding Patio Doors</b>			
Single Stationary	Class LC-PG40 Size Tested 50" x 95"	40/40	< 0.2
Two-Panel (6068)	Class LC-PG35 Size Tested 71" x 79"	35/35	< 0.2
Two-Panel (60611)	Class LC-PG40 Size Tested 71" x 82"	40/40	< 0.2
Two-Panel (8080)	Class LC-PG25 Size Tested 95" x 95"	25/25	< 0.2
Two-Panel (6080)	Class LC-PG30 Size Tested 71" x 95"	30/30	< 0.2
Four-Panel	Class LC-PG25 Size Tested 189" x 95"	25/25	< 0.2
<b>Perma-Shield® Gliding Patio Doors</b>			
Single Stationary	Class LC-PG45 Size Tested 50" x 95"	45/45	< 0.2
Two-Panel	Class LC-PG25 Size Tested 96" x 95"	25/25	< 0.2
Perma-Shield Gliding Patio Doors, PG Upgrade (60611, 6068)	Class LC-PG40 Size Tested 96" x 82"	40/40	< 0.2
<b>Hinged Inswing Patio Doors</b>			
Single Active	Class LC-PG30 Size Tested 38" x 95"	30/30	< 0.2
Two-Panel	Class LC-PG30 Size Tested 71" x 95"	30/30	< 0.2

For sound transmission ratings, see chart below.

- \* "Performance Grade (PG)" ratings may vary from tested performance rating for larger or smaller units of a particular type.
- \* This data is accurate as of March 2019. Due to ongoing product changes, updated test results or new industry standards, this data may change over time.
- \* Where designated, Andersen products are certified and labeled to the requirements of the Hallmark Certification Program. Actual performance may vary based on variations in manufacturing, shipping, installation, environmental conditions and conditions of use.
- \* Contact your Andersen supplier for more information.

## Sound Transmission Ratings for 200 Series Windows & Patio Doors

For current performance information, please visit [andersenwindows.com](http://andersenwindows.com).

Andersen® Product	Test Size	Sound Transmission Class (STC)	Outdoor/Indoor Transmission Class (OITC)
<b>Tilt-Wash Double-Hung Windows</b>			
Double-hung	36" x 60"	27	22
Picture	60" x 57"	29	24
Gliding Windows	60" x 36"	27	22
<b>Narroline® Gliding Patio Doors</b>			
Single Stationary	50" x 80"	30	24
Two-Panel	72" x 80"	30	24
Four-Panel	-	-	-
<b>Perma-Shield® Gliding Patio Doors</b>			
Single Stationary	50" x 82"	30	24
Single Stationary with Blinds-Between-the-Glass	38" x 82"	31	24
Two-Panel	72" x 82"	29	23
Two-Panel with Blinds-Between-the-Glass	72" x 82"	30	24
<b>Hinged Inswing Patio Doors</b>			
Single Active	36" x 80"	32	27
Two-Panel	72" x 80"	30	24

- \* "Sound Transmission Class (STC)" & "Outdoor/Indoor Transmission Class (OITC)" ratings are for individual units based on independent tests and represent entire unit.
- \* This data is accurate as of March 2019. Due to ongoing product changes, updated test results or new industry standards, this data may change over time.
- \* Contact your Andersen supplier for more information.

**Center of Glass Performance Data for 200 Series Windows & Patio Doors**

 For current performance information, please visit [andersenwindows.com](http://andersenwindows.com).

Andersen® Product & Glass Type	VL <sup>1</sup>	SC <sup>2</sup>	SHGC <sup>3</sup>	RHG <sup>4</sup>	Fading		%RH @ Center <sup>7</sup>	IGST <sup>8</sup>
					Tuv <sup>5</sup>	Tdw <sup>6</sup>		
<b>Low-E SmartSun™ Glass</b>								
Tilt-Wash Double-Hung & Gliding Windows	66%	0.32	0.28	66	5%	21%	61%	56°F
Fixed Windows	65%	0.31	0.27	65	5%	21%	61%	56°F
Narroline® Gliding, Perma-Shield® Gliding & Hinged Inswing Patio Doors	64%	0.32	0.27	66	5%	21%	61%	56°F
<b>Low-E Glass</b>								
Tilt-Wash Double-Hung & Gliding Windows	73%	0.48	0.42	100	17%	34%	61%	56°F
Fixed Windows	72%	0.47	0.41	98	16%	33%	61%	56°F
Narroline Gliding, Perma-Shield Gliding & Hinged Inswing Patio Doors	71%	0.47	0.41	98	16%	33%	61%	56°F
<b>Low-E Sun Glass</b>								
Tilt-Wash Double-Hung & Gliding Windows	40%	0.30	0.26	62	17%	25%	61%	56°F
Fixed Windows	40%	0.29	0.25	61	16%	24%	59%	55°F
Narroline Gliding, Perma-Shield Gliding & Hinged Inswing Patio Doors	39%	0.29	0.25	61	15%	23%	61%	56°F

\*Based on NFRC testing/simulation conditions using Windows v7.4.6.0 and NFRC validated spectral data. 0°F outside temperature, 70°F inside temperature and a 15 mph wind.

- 1) Visible Transmittance (VT) measures how much light comes through the glass. The higher the value, from 0 to 1, the more daylight the glass lets in. Visible Transmittance is measured over the 380 to 760 nanometer portion of the solar spectrum.
- 2) Shading Coefficient (SC) defines the amount of heat gain through the glass compared to a single light of clear 1/8" (3) glass.
- 3) Solar Heat Gain Coefficient (SHGC) defines the fraction of solar radiation admitted through the glass both directly transmitted and absorbed and subsequently released inward. The lower the value, the less heat is transmitted through the glass.
- 4) Relative Heat Gain (RHG) is the amount of heat gain through a glazing incorporating U-Factor and Solar Heat Gain Coefficient.
- 5) Transmission Ultra-Violet Energy (Tuv). The transmission of short-wave energy in the 300-380 nanometer portion of the solar spectrum. The energy can cause fabric fading.
- 6) Transmission Damage Function (Tdw). The transmission of UV and visible light energy in the 300-600 nanometer portion of the solar spectrum. The value includes both the UV and visible light energy that can cause fabric fading. This rating has also been referred to as the Krochmann Damage Function. This rating better predicts fading potential than UV transmission alone. The lower the Damage Function rating, the less transmission of short-wave energy through the glass that can potentially cause fabric fading. Fabric type is also a key component of fading potential.
- 7) Percent relative humidity before condensation occurs at the center of glass, taken using center of glass temperature.
- 8) Inside glass surface temperatures are taken at the center of glass.

\*This data is accurate as of March 2019. Due to ongoing product changes, updated test results or new industry standards, this data may change over time. Contact your Andersen supplier for current performance information or upgrade options.

 \*Contact your Andersen supplier or visit [andersenwindows.com/nfrc](http://andersenwindows.com/nfrc) for total unit performance data on windows and patio doors (including units with patterned glass, patterned glass, tempered glass and capillary breather tubes).

**Andersen® Products Total Unit Recycled Content Percentages**

 For current product certificates, please visit [andersenwindows.com](http://andersenwindows.com).

Andersen® Product	% Pre-Consumer Recycled Content
<b>200 Series Windows</b>	
Tilt-Wash Double-Hung Window	4%
Tilt-Wash Picture Window	10%
Gliding Window	5%
<b>200 Series Patio Doors</b>	
Narroline Gliding Patio Door	6%
Perma-Shield Gliding Patio Door	4%
Hinged Inswing Patio Door	3%

\*% Pre-Consumer Recycled Content® is verified by SCS Global Services (SCS) to meet ISO 14021 standards based on NFRC sizing. Actual recycled content dependent on product size.

# PRODUCT PERFORMANCE

## Andersen® NFRC Certified Total Unit Performance

For current performance information, please visit [andersenwindows.com](http://andersenwindows.com).

Andersen® Product	High Performance Glass Type	U-Factor <sup>1</sup>	SHGC <sup>2</sup>	VT <sup>3</sup>	
<b>200 Series Tilt-Wash Double-Hung Windows</b> AND-N-59	Low-E	Without Grilles	0.29	0.32	0.54
		Simulated Divided Light Grilles	0.29	0.29	0.48
		Finelight™ Grilles	0.29	0.29	0.48
	Low-E w/Heatlock*	Without Grilles	0.26	0.31	0.53
		Simulated Divided Light Grilles	0.26	0.28	0.47
		Finelight Grilles	0.26	0.28	0.47
	Low-E Sun	Without Grilles	0.30	0.20	0.30
		Simulated Divided Light Grilles	0.30	0.18	0.27
		Finelight Grilles	0.30	0.18	0.27
	Low-E SmartSun™	Without Grilles	0.29	0.21	0.49
		Simulated Divided Light Grilles	0.29	0.19	0.44
		Finelight Grilles	0.29	0.19	0.44
	Low-E SmartSun w/Heatlock	Without Grilles	0.25	0.21	0.48
		Simulated Divided Light Grilles	0.25	0.19	0.43
		Finelight Grilles	0.25	0.19	0.43
<b>200 Series Gliding Windows</b> AND-N-63	Low-E	Without Grilles	0.30	0.32	0.55
		Simulated Divided Light Grilles	0.30	0.29	0.49
		Finelight™ Grilles	0.30	0.29	0.49
	Low-E w/Heatlock*	Without Grilles	0.26	0.31	0.53
		Simulated Divided Light Grilles	0.26	0.28	0.48
		Finelight Grilles	0.26	0.28	0.48
	Low-E Sun	Without Grilles	0.30	0.20	0.30
		Simulated Divided Light Grilles	0.30	0.18	0.27
		Finelight Grilles	0.30	0.18	0.27
	Low-E SmartSun™	Without Grilles	0.29	0.21	0.49
		Simulated Divided Light Grilles	0.29	0.19	0.44
		Finelight Grilles	0.29	0.19	0.44
	Low-E SmartSun w/Heatlock	Without Grilles	0.25	0.21	0.48
		Simulated Divided Light Grilles	0.25	0.19	0.43
		Finelight Grilles	0.25	0.19	0.43
<b>200 Series Half Circle, Picture &amp; Transom Windows</b> AND-N-60	Low-E	Without Grilles	0.28	0.33	0.56
		Simulated Divided Light Grilles	0.28	0.30	0.50
		Finelight™ Grilles	0.28	0.30	0.50
	Low-E w/Heatlock*	Without Grilles	0.24	0.32	0.55
		Simulated Divided Light Grilles	0.24	0.29	0.49
		Finelight Grilles	0.24	0.29	0.49
	Low-E Sun	Without Grilles	0.28	0.20	0.31
		Simulated Divided Light Grilles	0.28	0.18	0.28
		Finelight Grilles	0.28	0.18	0.28
	Low-E SmartSun™	Without Grilles	0.27	0.22	0.51
		Simulated Divided Light Grilles	0.27	0.20	0.45
		Finelight Grilles	0.27	0.20	0.45
	Low-E SmartSun w/Heatlock	Without Grilles	0.23	0.21	0.50
		Simulated Divided Light Grilles	0.23	0.19	0.44
		Finelight Grilles	0.23	0.19	0.44

Andersen® Product	High Performance Glass Type	U-Factor <sup>1</sup>	SHGC <sup>2</sup>	VT <sup>3</sup>	
<b>200 Series Narroline® Gliding Patio Doors</b> AND-N-61	Low-E	Without Grilles	0.29	0.32	0.55
		Simulated Divided Light Grilles	0.29	0.29	0.48
		Finelight™ Grilles	0.29	0.29	0.48
	Low-E w/Heatlock*	Without Grilles	0.25	0.32	0.54
		Simulated Divided Light Grilles	0.25	0.28	0.47
		Finelight Grilles	0.25	0.28	0.47
	Low-E Sun	Without Grilles	0.29	0.20	0.31
		Simulated Divided Light Grilles	0.29	0.18	0.27
		Finelight Grilles	0.29	0.18	0.27
	Low-E SmartSun™	Without Grilles	0.28	0.21	0.50
		Simulated Divided Light Grilles	0.28	0.19	0.44
		Finelight Grilles	0.28	0.19	0.44
	Low-E SmartSun w/Heatlock	Without Grilles	0.24	0.21	0.49
		Simulated Divided Light Grilles	0.24	0.19	0.43
		Finelight Grilles	0.24	0.19	0.43
<b>200 Series Perma-Shield® Gliding Patio Doors</b> AND-N-13	Low-E	Without Grilles	0.28	0.32	0.56
		Blinds-Between-the-Glass*	0.34	0.32	0.56
		Simulated Divided Light Grilles	0.28	0.29	0.49
	Low-E w/Heatlock*	Without Grilles	0.24	0.32	0.54
		Simulated Divided Light Grilles	0.24	0.28	0.48
		Finelight Grilles	0.24	0.28	0.48
	Low-E Sun	Without Grilles	0.29	0.20	0.31
		Simulated Divided Light Grilles	0.29	0.18	0.27
		Finelight Grilles	0.29	0.18	0.27
	Low-E SmartSun™	Without Grilles	0.28	0.21	0.50
		Simulated Divided Light Grilles	0.28	0.19	0.44
		Finelight Grilles	0.28	0.19	0.44
	Low-E SmartSun w/Heatlock	Without Grilles	0.24	0.21	0.49
		Simulated Divided Light Grilles	0.24	0.19	0.43
		Finelight Grilles	0.24	0.19	0.43
<b>200 Series Hinged Inswing Patio Doors</b> AND-N-75	Low-E	Without Grilles	0.30	0.24	0.41
		Simulated Divided Light Grilles	0.30	0.21	0.35
		Finelight™ Grilles	0.30	0.21	0.35
	Low-E w/Heatlock*	Without Grilles	0.27	0.24	0.40
		Simulated Divided Light Grilles	0.27	0.21	0.34
		Finelight Grilles	0.27	0.21	0.34
	Low-E Sun	Without Grilles	0.31	0.15	0.23
		Simulated Divided Light Grilles	0.31	0.13	0.19
		Finelight Grilles	0.31	0.13	0.19
	Low-E SmartSun™	Without Grilles	0.30	0.16	0.37
		Simulated Divided Light Grilles	0.30	0.14	0.31
		Finelight Grilles	0.30	0.14	0.31
	Low-E SmartSun w/Heatlock	Without Grilles	0.27	0.16	0.36
		Simulated Divided Light Grilles	0.27	0.14	0.31
		Finelight Grilles	0.27	0.14	0.31

1) U-Factor defines the amount of heat loss through the total unit in BTU/hr/ft<sup>2</sup>. °F. The lower the value, the less heat is lost through the entire product. Window values represent non-tempered glass. Use of tempered glass can increase U-Factor ratings. See [andersenwindows.com/nfrc](http://andersenwindows.com/nfrc) for specific performance values. Door values represent tempered glass. 2) Solar Heat Gain Coefficient (SHGC) defines the fraction of solar radiation admitted through the glass both directly transmitted and absorbed and subsequently released inward. The lower the value, the less heat is transmitted through the product. 3) Visible Transmittance (VT) measures how much light comes through a product (glass and frame). The higher the value, from 0 to 1, the more daylight the product lets in over the product's total unit area. Visible Light Transmittance is measured over the 380 to 760 nanometer portion of the solar spectrum.

\* NFRC ratings are based on modeling by a third-party agency as validated by an independent test lab in compliance with NFRC program and procedural requirements.

\* This data is accurate as of March 2019. Due to ongoing product changes, updated test results or new industry standards or requirements, this data may change over time. Ratings are for sizes specified by NFRC for testing and certification. Ratings may vary depending on use of tempered glass, different grille options, glass for high altitudes, etc.

\* Available for select patio door sizes. Data based on blinds in full open position.

**About the NFRC**

The National Fenestration Rating Council (NFRC) is a nonpartisan coalition of professionals whose purpose is to provide fair, accurate and credible energy performance ratings for fenestration products. NFRC's membership includes manufacturers, suppliers, designers, specifiers, utility companies, government agencies and other building industry representatives.

Andersen Corporation is a founding member of the NFRC and continues to support its work by providing fair, accurate and credible energy performance ratings to consumers and the building industry. If you have any questions about the NFRC, its program or energy performance ratings, write them at: NFRC, 6305 Ivy Lane, Suite 140, Greenbelt, MD 20770, Tel: (301) 589-1776 Website: [www.nfrc.org](http://www.nfrc.org)

**About the Label**

Look for this certification label on every window and patio door you buy. The NFRC section was designed by the National Fenestration Rating Council to provide accurate information that helps you promote the energy efficiency of the homes you build. These ratings allow you – and your customers – to measure and compare the energy performance of similar products. If the product does not have this label, the NFRC has not verified its claims.

Do not remove until final code inspection. Save label for future reference.

**ENERGY STAR® Certified in Highlighted Regions**  
Certifié ENERGY STAR dans les régions en surbrillance

Canada  
[energystar.gc.ca](http://energystar.gc.ca)

ENERGY STAR

U.S. / É.U.  
[energystar.gov](http://energystar.gov)

ER/RE 15

DO NOT REMOVE UNTIL FINAL INSPECTION/NE PAS RETIRER AVANT L'INSPECTION FINALE

**ANDERSEN**  
WINDOWS & DOORS

200 Series Tilt-Wash Double-Hung Window  
AND-N-59-01151-00001  
Vinyl-Clad Wood Frame, Dual-Pane Low-E SmartSun  
Glazing with Argon  
Product Type: Vertical Slider

**ENERGY PERFORMANCE RATINGS**

U-Factor <b>0.29</b> (U.S./I-P)	Solar Heat Gain Coefficient <b>0.21</b>
<b>1.65</b> (Metric/SI)	

**ADDITIONAL PERFORMANCE RATINGS**

Visible Transmittance <b>0.49</b>	
--------------------------------------	--

Manufacturer stipulates that these ratings conform to applicable NFRC procedures for determining whole product performance. NFRC ratings are determined for a fixed set of environmental conditions and a specific product size. NFRC does not recommend any product and does not warrant the suitability of any product for any specific use. Consult manufacturer's literature for other product performance information. [www.nfrc.org](http://www.nfrc.org)

**WDMA**  
Hallmark Certified  
[www.wdma.com](http://www.wdma.com)

Licensee: 129-H-731  
Andersen Corporation  
200 Series Tilt-Wash Double-Hung Window  
Manufacturer stipulates Hallmark Certification as indicated below.

STANDARD	RATING
AAMA/WDMA/CSA 101/1.S.2/A440-11	Class LC-PG30 Size Tested 39.5" x 71.5" DP+30/-30
AAMA/WDMA/CSA 101/1.S.2/A440-08	Class LC-PG30 Size Tested 39.5" x 71.5" DP+30/-30
AAMA/WDMA/CSA 101/1.S.2/A440-08 A440S1-09	Class LC-PG30 - 1003mm x 1816mm Positive/Negative Design Pressure (DP) = 1440 Pa/-1440 Pa Water Penetration Resistance Test Pressure = 220 Pa Canadian Air Infiltration/Exfiltration = A3

FL 15752

Glazing: 2.2mm AN outer/2.3mm AN inner

**WARNING**  
This product can expose you to chemicals including titanium dioxide, which is known in the state of California to cause cancer, and methanol, which is known to the state of California to cause birth defects or other reproductive harm. For more information go to [www.P65Warnings.ca.gov](http://www.P65Warnings.ca.gov)

Meets or exceeds CEC & IECC Air Infiltration Requirements of 0.2 CFM/sq.ft. or lower.  
WDMA Hallmark Certification Program. Complies with HUD UM Bulletin No. 11.

**U-Factor** indicates how well a product prevents heat from escaping (the lower the number, the better).

**Visible Transmittance** refers to how much visible light comes through a product (the closer to 1.0, the more light is transmitted).

**WDMA Hallmark Certification** verifies the performance ratings of this product were tested by an independent testing laboratory and verified by a third-party certification program.

**Test Standards**

**Energy Rating (ER)** represents "Energy Rating" and is a rating used in Canada for product comparison purposes (the higher the ER number, the more energy saved during the heating season).

**ENERGY STAR® Climate Zone Map** is based on U-Factor and solar heat gain coefficient criteria for specific ENERGY STAR climate zones within the United States and Canada. The shading of the map shows which climate zone(s) a particular product and glass type is ENERGY STAR certified in.

**Solar Heat Gain Coefficient** measures how well a product blocks heat caused by sunlight (the lower the number, the more it will help reduce the use of air conditioning and as a result reduce electrical bills and energy use).

**Performance Grade (PG) and Design Pressure (DP) Ratings**

**Glass Construction** used with this product type

Combination Design, Product Performance & Installation

\* NFRC ratings are based on modeling by a third-party agency as validated by an independent test lab in compliance with NFRC program and procedural requirements.

# INSTALLATION ACCESSORIES

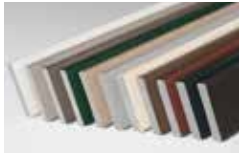
Listed are optional accessories available for the installation of Andersen® windows and doors. You'll also find key considerations regarding the use and installation of every Andersen product. Keep the instruction guidelines and safety information in mind when considering the installation and use of any Andersen product. Should you have any questions, contact your local Andersen supplier. Thank you for considering and using Andersen products.

## COIL STOCK

Andersen aluminum coil stock can be ordered to match any of our 11 trim colors. Made from .018" thick aluminum, coil stock is available in 24" (610) x 50' (15240) rolls. Color-matched 1 1/4" (32) stainless steel trim nails are also available and can be ordered in 1 lb/.454 kg boxes.



## FIBREX® TRIM BOARD



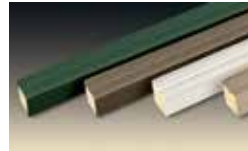
Andersen offers a 3 1/2" (89) wide by 3/4" (19) thick cellular Fibrex trim board in 10' (3048) lengths. Available in the same 11 colors as the exterior trim system, this solid trim board can be cut or ripped to size and can be fastened using nails or screws.

## CONTINUOUS DRIP CAP



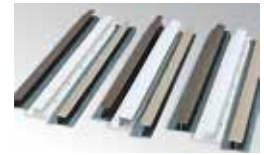
Included on 200 Series windows with vertical (ribbon) joins. Heavy 24-gauge corrosion-resistant aluminum construction. Available in 6' (1829), 10' (3048) and 12'-7 1/8" (3848) lengths and in any of the 11 trim colors.

## AUXILIARY CASING



Auxiliary casing is made of cellular Fibrex material. Available in white, canvas, Sandtone, Terratone, forest green, dark bronze and black. Dimensions are 1 3/16" (30) by 1 13/16" (30) in 150" (3810) lengths.

## VINYL CHANNELS



Rigid vinyl "J," "h" and "H" channels are available in white, Sandtone and Terratone.

## EXTENSION JAMBS



Available for most Andersen products. See individual sections for details.

## COLOR-MATCHED SEALANT

Color-matched sealant is available in Andersen exterior colors. This high-quality sealant can be used during the installation of all Andersen products.

	COLOR	LENGTH	DEPTH	WIDTH
<b>Fibrex Trim Board</b>	11 colors	120" (3048)	3/4" (19)	3 1/2" (89)
<b>Auxiliary Casing</b>	6 colors	150" (3810)	1 3/16" (30)	1 3/16" (30)
<b>Rigid Vinyl "H" Channel</b>	W	84" (2134) & 150" (3810)	3/4" (19)	1" (25)
	S,T	84" (2134) & 150" (3810)	3/4" (19)	3/4" (19)
<b>Rigid Vinyl "h" Channel</b>	W,S,T	150" (3810)	1/2" (13)	1" (25)
<b>Rigid Vinyl "J" Channel</b>	W,S,T	150" (3810)	1/2" (13)	3/4" (19)

# INSTALLATION INFORMATION

## ROUGH OPENINGS

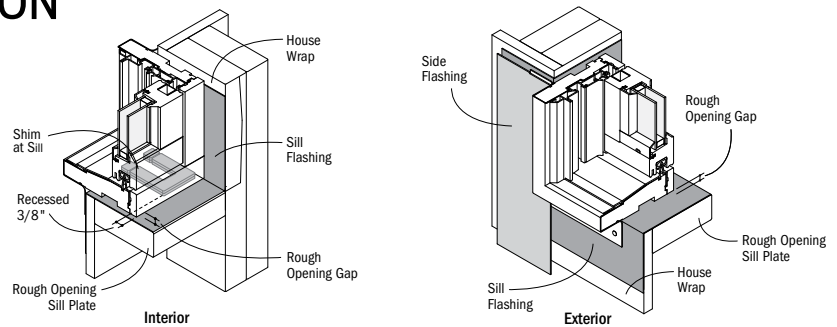
The purpose of a rough opening is to allow for proper spacing between the window or patio door unit and the building structure. The space is required for locating, leveling and squaring the unit during installation and to provide an area for insulation. A rough opening that is incorrectly sized may affect unit operation and may not allow for adequate fastening of the unit to the building structure. Andersen rough opening dimensions are provided as a guideline to help determine the minimum amount of space needed between the window or patio door and the building structure. See appropriate product sections for rough opening guidelines for each product.

Keep in mind that rough opening dimensions may need to be altered from published guidelines, depending on installation methods, joining methods, replacement methods, etc. For example, flashing systems can reduce the amount of available rough opening space and should be factored in when calculating rough opening dimensions. The use of support or joining materials will encroach on the rough opening and may require additional rough opening space between the unit and the building structure, depending on the thickness of the flashing system and joining materials used. To facilitate drainage, the rough opening sill plate should never slope toward the interior. For challenging environments and other information, refer to Energy and Environmental Building Association's (EEBA) Water Management Guide ([www.eeba.org](http://www.eeba.org)).

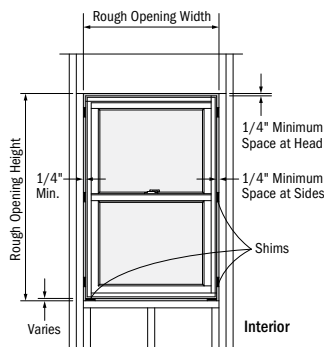
## IMPORTANCE OF PROPER INSTALLATION

Proper installation and maintenance of Andersen products are essential to attain optimum performance and operation. Installation instructions are available by visiting [andersenwindows.com](http://andersenwindows.com). Remember that every installation is different and Andersen strongly recommends consultation with the local supplier or an experienced contractor, architect or structural engineer prior to the installation of any Andersen product. The method of attachment for Andersen products, fastener selection and code compliance are the responsibility of the architect, building owner, contractor, installer and/or consumer. For more complete installation details, visit [andersenwindows.com](http://andersenwindows.com) or see your Andersen supplier.

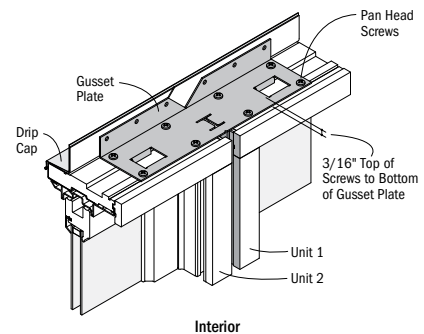
\* Dimensions in parentheses are in millimeters.



Example of window sill flashing in a membrane drainage system.



Example of window unit installed using Andersen published minimum rough opening dimensions.



Example of two units joined together with the use of gusset plates and pan head screws that will require additional rough opening space.



**GENERAL NOTES**

When ordering, make certain you specify, then verify, the exact product, unit dimensions, configuration requirements, color and options you desire on each window or patio door. Before installing the product, we suggest you verify that it includes the features and options you ordered. Visit [andersenwindows.com](http://andersenwindows.com) for product installation and joining guides. Printing limitations prohibit exact color duplication of products. View actual samples for building specifications. Andersen Corporation reserves the right to change details, specifications or sizes without notice. The customer assumes all risk of alterations made to Andersen® products.

**CODES**

Appropriate selection of Andersen products that conform to all applicable laws, ordinances, building codes and safety requirements is the sole responsibility of the architect, designer, building owner and/or contractor. Check with your local building code officials for specific information. Unit wind load, performance grade and energy performance information is provided on pages 56-61. For up-to-date product performance information, visit [andersenwindows.com](http://andersenwindows.com). The performance of any building system depends on the design and construction of the building system in its entirety, which should meet building code requirements as well as address product and material limitations and local environment and climate.

**DRIP CAPS**

Drip caps are a specific type of flashing or trim that is used at the head of a window or door to direct water from the drainage plane out beyond the face of the unit.

**FLASHING**

Flashing is an important element in a building's water management system. It is used to shed and direct water to the building exterior or to the drainage plane. Flashing materials are typically applied starting from the bottom and working upward, with each successive layer overlapping the previous one in shingle fashion. Water infiltration problems in any type of building can be reduced by properly flashing and/or sealing around all building openings, including windows and doors.

**USE OF SHIMS**

Shims are often used along the side jambs of windows and doors to center the unit in the rough opening and to position it plumb, level and square. In addition, shims are always required for windows under the sill at the side jambs to lift it off the rough sill. Shims also enable a straight frame for proper weatherstrip contact and unit operation. If not placed properly, unit performance and operation can be affected. Use waterproof shims capable of supporting the weight of the product. When using tapered shims, use them in pairs with the tapers opposing each other to avoid tilting the unit or twisting (rotating) of the jambs.

**SEALANTS**

Sealants are elastic materials used to block the passage of water and/or air while allowing movement between the two sides of the joint. A sealant should bond tightly and be able to expand and contract to accommodate joint movement without cracking or tearing away from the substrate. Surfaces must be clean, dry and sound for adequate sealant adhesion. Choose a sealant that is compatible with, and that will adhere adequately to, all building materials used in the window and patio door area. Proper sealant joint design is based upon the expected movement of adjacent materials and the movement capability

of the sealant. A general rule of thumb is that the depth of the sealant joint should be equal to half the width ( $D = W/2$ ), but generally not less than  $1/4"$  (6) or more than  $1/2"$  (13). Foam-plastic backer rod can be used to limit the depth of the sealant joint to provide a backstop for tooling the sealant without damage to the bond. It also acts as a bond breaker to help minimize stress in the sealant. Sealants should be maintained seasonally and repaired and/or replaced as needed.

**GENERAL INSTALLATION GUIDELINES**

1. Read and follow the installation guide in its entirety.
2. Decide whether you are integrating to a surface barrier or a membrane drainage system before installing the product. The appropriate method for your installation may vary based on building design, application and industry practices.
3. Make certain the drainage plane is continuous (proper overlaps to shed water, taped seams, etc.).
4. Andersen products should be installed only in the vertical position.
5. Check the rough opening to make sure it is sized properly, is square and is level.
6. Install the window or door plumb.
7. Install the window or door level.
8. Install the window or door square. Diagonal measurements should be within  $1/8"$  (3).
9. Follow installation instructions to properly locate shims and to make sure that units are plumb, level and square. Shims are always required under the window jambs at the sill and along the jambs on the sides for windows and doors.
10. Check for squareness of unit before final anchoring of the product into the wall.
11. Anchor window as directed with appropriate fasteners.
12. Integrate the window or door into the drainage plane of the wall using quality flashing and sealing materials. All flashing materials should be properly overlapped to shed water.
13. Allow  $1/4"$  (6) minimum space for a sealant joint around perimeter of unit between exterior finish materials and unit.
14. Insulate and seal the interior cavity between the window or door frame and the rough opening.
15. Check unit operation before application of interior trim.
16. Stain and/or seal all unfinished wood surfaces promptly to minimize moisture absorption.

**EXTERIOR PAINTING/SEALING OF ANDERSEN PRODUCTS**

The exterior of some Andersen products may be painted or stained. However, improper painting and staining may cause damage to vinyl, aluminum and other exterior materials. Please refer to the individual product sections for details on painting Andersen product exteriors.

**CAUTIONS**

1. Do not apply any type of film to insulating glass. Thermal stress and glass damage can result. Andersen Corporation is not responsible for product performance when films are applied to Andersen products.
2. The use of removable insulating materials such as insulated window coverings, shutters and other shading devices may also cause thermal stress conditions and/or deformation of protective vinyl. In addition, excessive condensation may result, which can have a deteriorating effect on the window or patio door unit(s) involved. Andersen Corporation is not responsible

for product performance when these kinds of materials or devices are applied to or used in conjunction with Andersen products.

3. In wall construction utilizing brick facades, leave adequate clearance between sill, jambs and brick for sealing and dimensional change of framework.
4. Acid solutions commonly used to wash brick and other masonry materials will damage glass, fasteners, hardware and metal flashing. Protect unit and follow cleaning product instructions carefully. Damage caused by acid solution is not covered under the Andersen limited warranty.
5. Andersen windows may be combined in almost unlimited ribbons or stacks if each unit is positively secured to structural elements on opposing sides and if the proper joining system is used. See page 51 for more information.

**SAFETY GLASS**

Unless specifically ordered, Andersen windows are not made with safety glass and, if broken, the glass could fragment, causing injury. Andersen windows may be ordered with tempered glass which may reduce the likelihood of injury when broken. All Andersen patio doors are made with tempered glass. Differences in appearance between tempered and non-tempered glass can be expected. Slight visual distortions may be noticeable and occur normally as a result of the tempering process. Building codes require safety glass in locations adjacent to or near doors and other locations.

**WINDOW AND PATIO DOOR SAFETY**

Windows may provide a secondary avenue of escape or rescue in an emergency, such as a fire. Every family should develop an escape plan and make sure family members know how to escape from the home in an emergency. In your plan, include two ways to escape from every room in case one way is blocked by fire or smoke, and make sure you have a designated meeting place outside. A window or a door is an alternate means of escape or rescue. Practice your plan until each member of the family understands it and is able to escape without assistance. Remember, you may not be able to reach children during a fire emergency. Teach children – even very young children – that they must escape from a fire in the home and never hide from the fire or from emergency personnel.

**LOOKOUT FOR KIDS® PROGRAM**

The Consumer Product Safety Commission has said: "Keep children away from open windows to prevent falls. Don't depend on insect screens to keep the child from falling out of the window. They are designed to keep insects out, not children in. Avoid placing furniture near windows to keep children from climbing to a window seat or sill." In an effort to educate consumers about the potential for child falls from windows, Andersen Corporation created the LookOut For Kids Program. It combines a window and door safety brochure and specific product instructions to help make window and door safety an important priority for consumers. For more information on child safety, write:

Andersen Corporation  
**LookOut For Kids Program**  
 100 Fourth Avenue North  
 Bayport, MN 55003



Call: 1-800-313-8889 Email: [lofk@andersencorp.com](mailto:lofk@andersencorp.com)

\*Dimensions in parentheses are in millimeters.

# Andersen® windows and doors can make significant contributions to the success of sustainable design strategies.

As a charter member of the U.S. Green Building Council, we are active supporters of certified green buildings. Our products can help customers in pursuing green building programs, such as Leadership in Energy and Environmental Design (LEED®), the National Green Building Standard, Green Globes, GreenStar and more.

Below is an overview of how our products may assist project teams with pursuing LEED v4 or the NAHB National Green Building Standard rating systems. More detailed credit summaries, as well as information about how Andersen products can support earlier versions of LEED certification (e.g., LEED v3 or LEED 2008), are available at [andersenwindows.com](http://andersenwindows.com).

## LEED v4 FOR BUILDING DESIGN AND CONSTRUCTION: NEW CONSTRUCTION AND MAJOR RENOVATIONS

### Integrative Process Credit: Energy & Atmosphere

- Minimum energy performance prerequisite
- Optimize energy performance credit
- Renewable energy production credit
- Green power and carbon offsets credit

### Materials & Resources

- Construction and demolition waste management planning credit
- Building product disclosure and optimization sourcing of raw materials credit
- Construction and demolition waste management credit

### Indoor Environmental Quality

- Minimum indoor air quality performance prerequisite
- Minimum acoustic performance prerequisite – schools
- Enhanced indoor air quality strategies credit
- Low-emitting materials credit
- Thermal comfort credit
- Daylight credit
- Quality views credit
- Acoustic performance credit (option 2)

## LEED v4 FOR BUILDING DESIGN AND CONSTRUCTION: HOMES AND MULTI-FAMILY MIDRISES

### Energy & Atmosphere

- Minimum energy performance prerequisite
- Education of the homeowner, tenant or building prerequisite
- Annual energy use credit
- Building orientation for passive solar credit
- Air infiltration credit
- Windows credit

### Materials & Resources

- Durability management prerequisite
- Environmentally preferable products credit
- Construction waste management credit

### Indoor Environmental Quality

- Ventilation prerequisite
- Low-emitting products credit

## ANSI ICC/ASHRAE 700-2015 NATIONAL GREEN BUILDING STANDARD

NGBS section numbers are referenced in parentheses.

### Resource Efficiency

- Prefinished materials (601.7)
- Flashing (602.12)
- Exterior doors, including storm doors (602.1.10)
- Recycled construction materials (605.3)
- Bio-based products (606.1)
- Wood-based products (606.2)
- Manufacturer's environmental management system concepts (611.1)

### Energy Efficiency

- Mandatory requirements (701.1)
- Building thermal envelope air sealing (701.4.3.1)
- Multi-family air leakage alternative (701.4.3.3)
- Fenestration air leakage (701.4.3.4)
- ICC IECC analysis (702.2.1)
- Energy performance analysis (702.2.2)
- UA improvement (703.2.1)
- Fenestration (703.2.5)
- Sun-tempered design (703.7.1)
- Passive cooling design (703.7.3)
- Passive solar heating design (703.7.4)

### Indoor Environmental Quality

- Wood materials (901.4)
- Interior architectural coatings (901.9)
- Interior adhesives & sealants (901.10)
- Operable windows & sliding glass doors (902.1.5)

### Energy Efficient

- Homeowner's manual (1001.1)
- Building construction manual (1002.1)



# THE ENVIRONMENT HAS A BUSINESS PARTNER

Respect for the environment is nothing new at Andersen. For more than a century, it's been part of who we are. Our commitment to recycle and reclaim materials began simply because it was good business. Now it's part of our commitment to sustainability and responsible stewardship of all our resources. Andersen is committed to providing you with long-lasting,\* energy-efficient windows and patio doors. Visit [andersenwindows.com/sustainability](http://andersenwindows.com/sustainability) for more information.



Andersen® products are certified under the National Fenestration Rating Council's voluntary third-party certification program designed to ensure accurate energy performance ratings and labeling.



Andersen was one of the first U.S. window manufacturers to receive Forest Stewardship Council® (FSC) Chain-of-Custody certification (FSC-C016636). This certification is awarded to companies that meet FSC standards for traceability in their wood supply chain.



The Window & Door Manufacturers Association (WDMA) Hallmark Certification program includes product testing and quality-control process audits to verify that Andersen windows and doors are produced in conformance with the industry standards for air, water resistance and structural performance.



Andersen was the first window manufacturer to certify our products for indoor air quality, beginning in 2008. Our Indoor Advantage™ Gold certification by SCS Global Services (SCS) meets the rigorous high standards for healthier indoor air quality set by the California Specification 01350.



Under U.S. Green Building Council (USGBC) guidelines, Andersen is able to claim a percentage of material in its Fibrex® product as pre-consumer recycled content. SCS Global Services (SCS) has certified this amount for Andersen.



Andersen Corporation is proud to be an ENERGY STAR® partner. For over 115 years, Andersen has built a reputation for environmental stewardship and energy-efficient products. In fact, Andersen has been part of the ENERGY STAR program since it started and was the first window manufacturer to be named an ENERGY STAR National Window Partner of the Year in 1999.

\* Visit [andersenwindows.com/warranty](http://andersenwindows.com/warranty) for details. All logos and marks are trademarks of their respective owners.

51 Combination Designs,  
Product Performance  
& Installation

45 Exterior Trim

37 200 Series  
Hinged Inswing  
Patio Doors

31 200 Series  
Perma-Shield® Gliding  
Patio Doors

23 200 Series  
Narrowline® Gliding  
Patio Doors

17 200 Series  
Gliding Windows

11 200 Series  
Tilt-Wash Double-Hung  
Windows



All trademarks where denoted are marks of their respective owners.  
"Andersen" and all other marks where denoted are trademarks of Andersen Corporation.  
©2020 Andersen Corporation. All rights reserved. 10/20 Part #110004



Welcome to an overview of the enhanced navigation tools available in this PDF. Here are some simple tips on PDF navigation. Before you begin be sure you are using the latest version of Adobe Acrobat Reader DC, available at – <https://get.adobe.com/reader/>

To watch a 3-minute tutorial on navigating catalog PDFs, go to: <https://youtu.be/sWWnYn60N3Y>

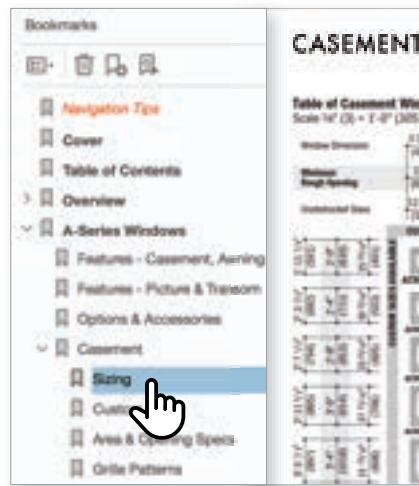
## BOOKMARK NAVIGATION

①

Acrobat will display the bookmarks panel when you open the PDF.

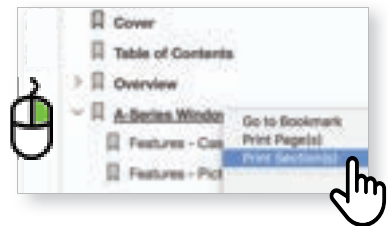
**Bookmarks** are the easiest way to find specific product information.

Select a topic and that page will be displayed.



②

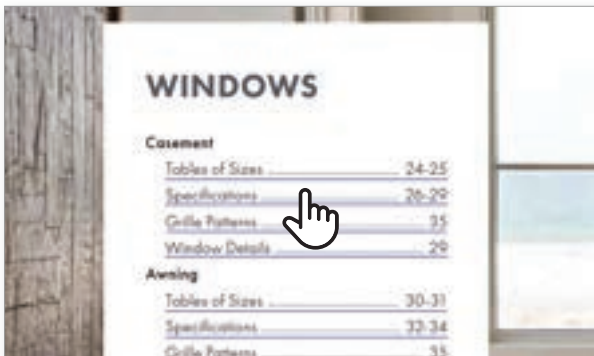
If you need to print a specific section, **right click on that section** within in the bookmarks panel and choose **“Print Section”**.



## LINKS AND URL NAVIGATION

①

You can also use the **embedded links** to navigate between sections. All links are underlined in blue.



②

Website links automatically open in your web browser.



## PDF NAVIGATION TIPS Cont.

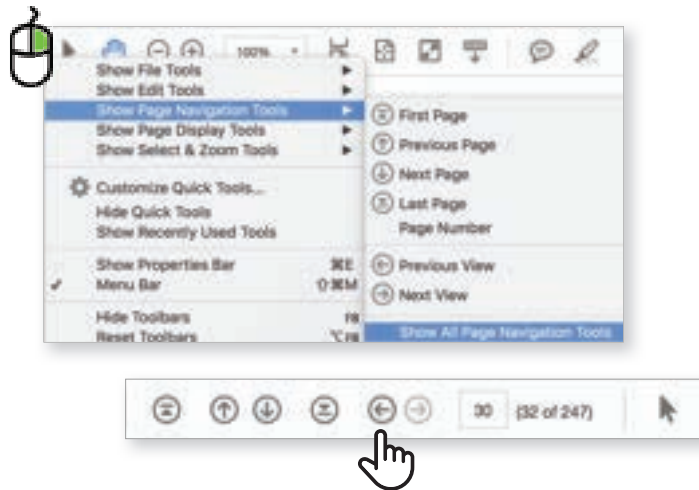
Add additional navigation tools by adjusting the default settings in Acrobat.

### TOOL BAR NAVIGATION

1

To add a **“Jump Back” Button** to your tool bar, **right click on tool bar**, select **Show Page Navigation Tools** and choose **Show All Page Navigation Tools**.

Right and left facing arrows are added to the tool bar allowing you to go back or forward to the last page you viewed.

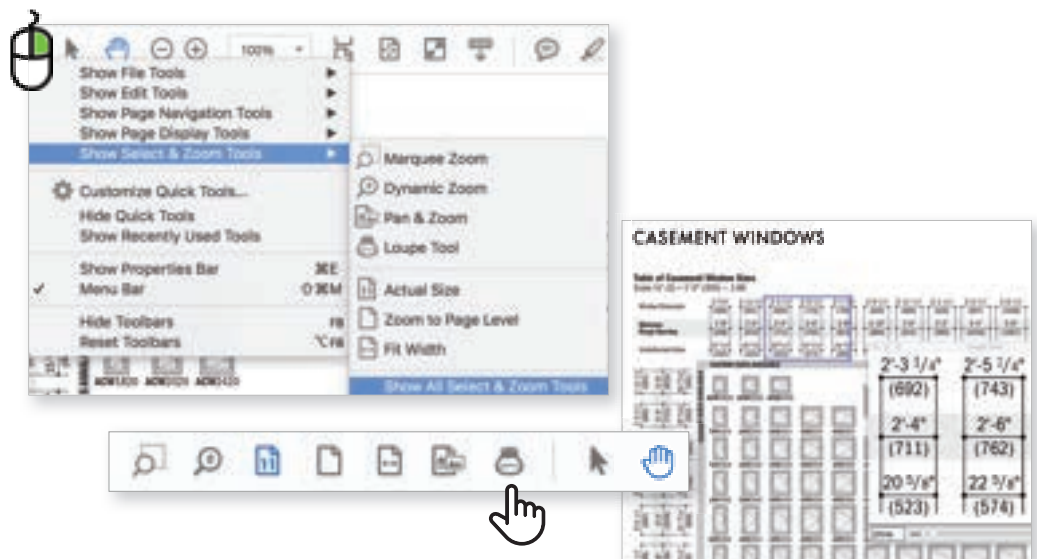


2

Another helpful tool is the **Loupe Tool**.

It allows you to zoom in on the page without having to increase the page size.

To add a **Loupe Tool** to your tool bar, **right click on tool bar**, select **Show Select & Zoom Tools** and then choose **Show All Select & Zoom Tools**.



3

You can also use the **commenting tools**.

Add a post-it note with your comments or highlight important information.

Be sure to save the file.



To watch a 3-minute tutorial on navigating catalog PDFs, go to: <https://youtu.be/sWWnYn60N3Y>

We are always looking for ways to improve.

Please send feedback to [webmarketing@andersencorp.com](mailto:webmarketing@andersencorp.com).